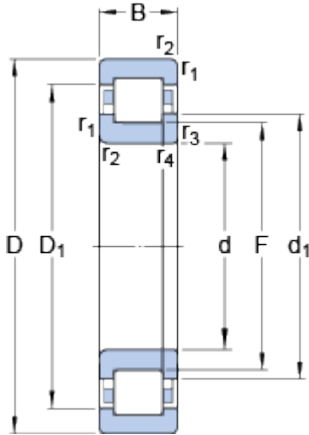


# NUP 313 ECJ

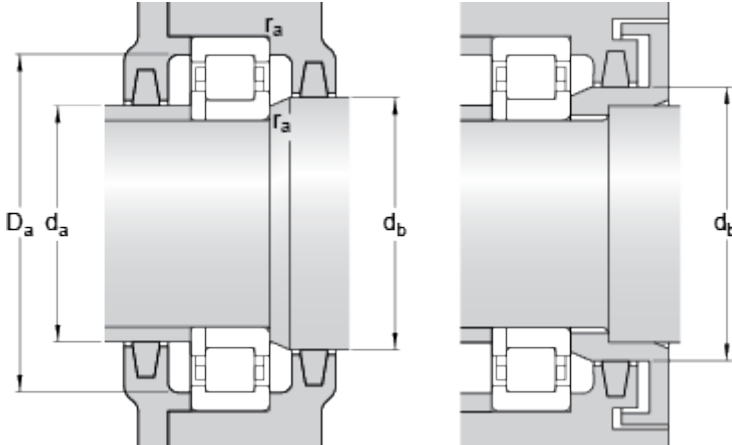
SKF Explorer

## Dimensions



d		65	mm
D		140	mm
B		33	mm
d <sub>1</sub>	≈	90.5	mm
D <sub>1</sub>	≈	117.4	mm
F		82.5	mm
r <sub>1,2</sub>	min.	2.1	mm
r <sub>3,4</sub>	min.	2.1	mm

## Abutment dimensions



d <sub>a</sub>	min.	77	mm
d <sub>b</sub>	min.	93	mm
D <sub>a</sub>	max.	127.8	mm
r <sub>a</sub>	max.	2	mm

## Calculation data

Basic dynamic load rating	C	212	kN
Basic static load rating	C	196	kN
Fatigue load limit	P <sub>u</sub>	25.5	kN
Reference speed		5300	r/min
Limiting speed		6000	r/min
Calculation factor	k <sub>r</sub>	0.15	
Limiting value	e	0.2	
Axial load factor	Y	0.6	

## Mass

Mass bearing		2.3	kg
--------------	--	-----	----