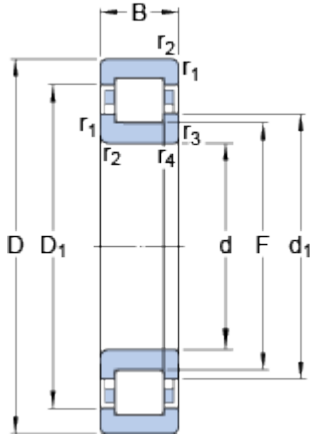


NUP 308 ECP

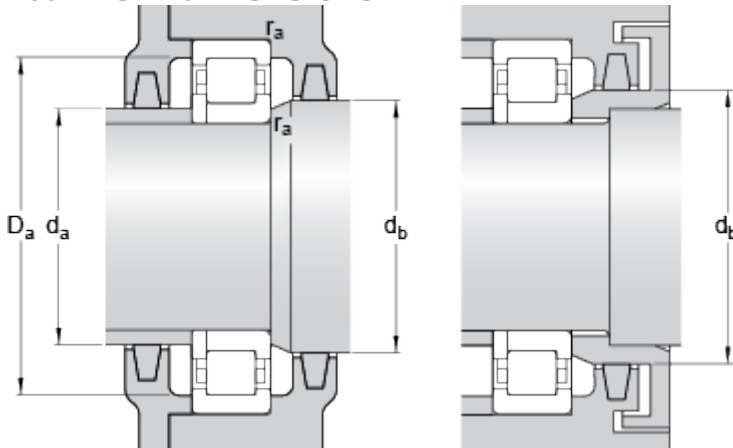
SKF Explorer

Dimensions



d		40	mm
D		90	mm
B		23	mm
d ₁	≈	57.5	mm
D ₁	≈	75	mm
F		52	mm
r _{1,2}	min.	1.5	mm
r _{3,4}	min.	1.5	mm

Abutment dimensions



d _a	min.	48	mm
d _b	min.	60	mm
D _a	max.	81.8	mm
r _a	max.	1.5	mm

Calculation data

Basic dynamic load rating	C	93	kN
Basic static load rating	C	78	kN
Fatigue load limit	P _u	10.2	kN
Reference speed		8000	r/min
Limiting speed		9500	r/min
Calculation factor	k _r	0.15	
Limiting value	e	0.2	
Axial load factor	Y	0.6	

Mass

Mass bearing		0.68	kg
--------------	--	------	----