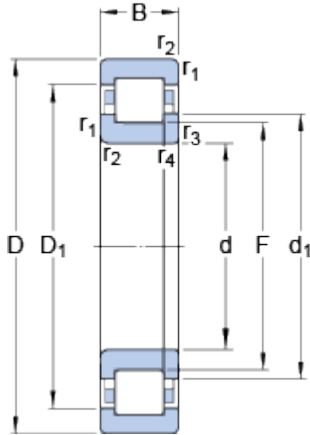


# NUP 306 ECP

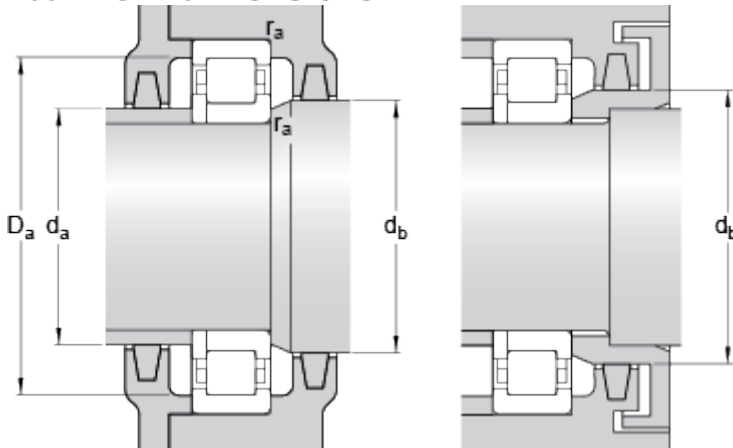
SKF Explorer

## Dimensions



d		30	mm
D		72	mm
B		19	mm
d <sub>1</sub>	≈	45	mm
D <sub>1</sub>	≈	58.35	mm
F		40.5	mm
r <sub>1,2</sub>	min.	1.1	mm
r <sub>3,4</sub>	min.	1.1	mm

## Abutment dimensions



d <sub>a</sub>	min.	37	mm
d <sub>b</sub>	min.	47	mm
D <sub>a</sub>	max.	65.1	mm
r <sub>a</sub>	max.	1	mm

## Calculation data

Basic dynamic load rating	C	58.5	kN
Basic static load rating	C	48	kN
Fatigue load limit	P <sub>u</sub>	6.2	kN
Reference speed		11000	r/min
Limiting speed		12000	r/min
Calculation factor	k <sub>r</sub>	0.15	
Limiting value	e	0.2	
Axial load factor	Y	0.6	

## Mass

Mass bearing		0.38	kg
--------------	--	------	----