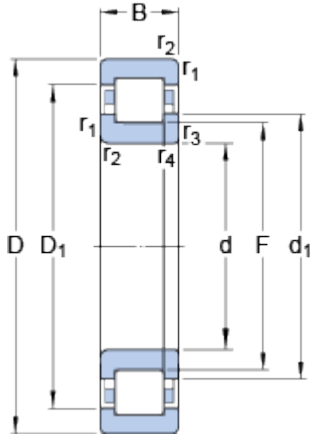


NUP 304 ECP

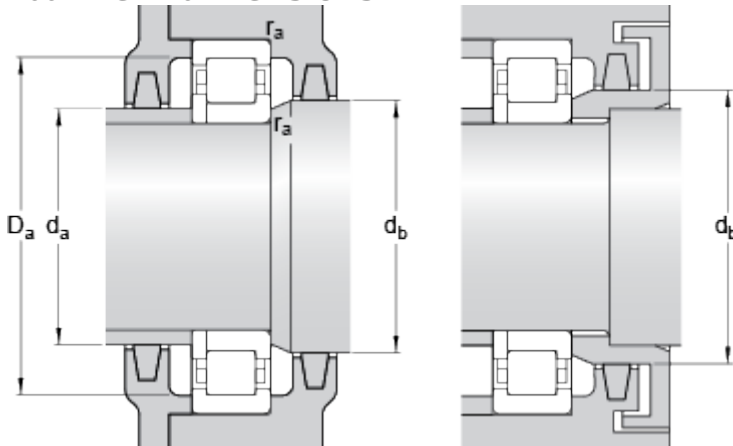
SKF Explorer

Dimensions



d	20	mm
D	52	mm
B	15	mm
d ₁	≈ 31.2	mm
D ₁	≈ 41.85	mm
F	27.5	mm
r _{1,2}	min. 1.1	mm
r _{3,4}	min. 0.6	mm

Abutment dimensions



d _a	min. 26.1	mm
d _b	min. 33	mm
D _a	max. 45.4	mm
r _a	max. 1	mm

Calculation data

Basic dynamic load rating	C	35.5	kN
Basic static load rating	C	26	kN
Fatigue load limit	P _u	3.25	kN
Reference speed		15000	r/min
Limiting speed		18000	r/min
Calculation factor	k _r	0.15	
Limiting value	e	0.2	
Axial load factor	Y	0.6	

Mass

Mass bearing	0.16	kg
--------------	------	----