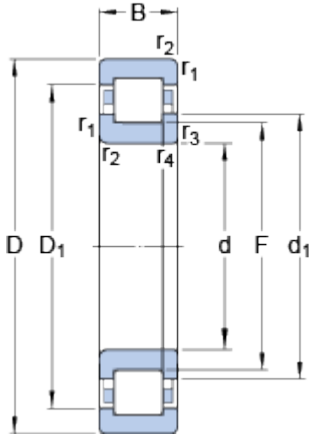


# NUP 2308 ECP

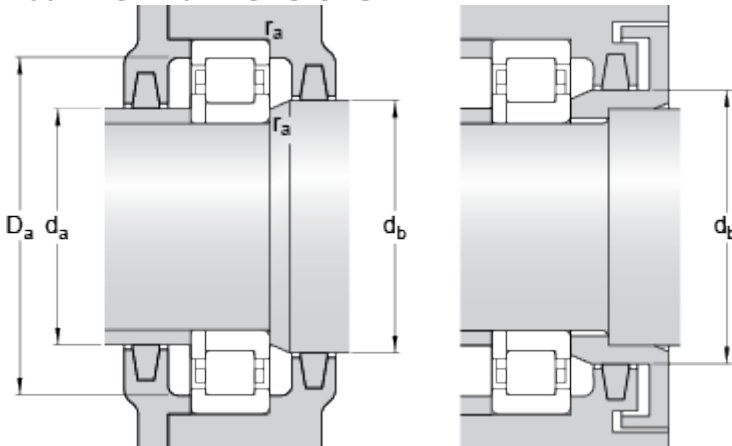
SKF Explorer

## Dimensions



d	40	mm
D	90	mm
B	33	mm
d <sub>1</sub>	≈ 57.5	mm
D <sub>1</sub>	≈ 75	mm
F	52	mm
r <sub>1,2</sub>	min. 1.5	mm
r <sub>3,4</sub>	min. 1.5	mm

## Abutment dimensions



d <sub>a</sub>	min. 48	mm
d <sub>b</sub>	min. 60	mm
D <sub>a</sub>	max. 81.8	mm
r <sub>a</sub>	max. 1.5	mm

## Calculation data

Basic dynamic load rating	C	129	kN
Basic static load rating	C	120	kN
Fatigue load limit	P <sub>u</sub>	15.3	kN
Reference speed		8000	r/min
Limiting speed		9500	r/min
Calculation factor	k <sub>r</sub>	0.25	
Limiting value	e	0.3	
Axial load factor	Y	0.4	

## Mass

Mass bearing	0.98	kg
--------------	------	----