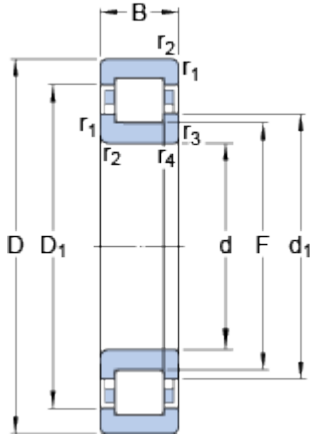


# NUP 2305 ECP

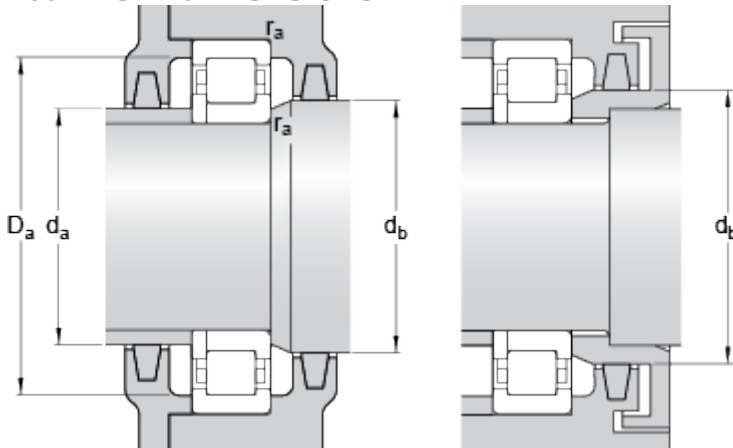
SKF Explorer

## Dimensions



d		25	mm
D		62	mm
B		24	mm
d <sub>1</sub>	≈	38.1	mm
D <sub>1</sub>	≈	50.15	mm
F		34	mm
r <sub>1,2</sub>	min.	1.1	mm
r <sub>3,4</sub>	min.	1.1	mm

## Abutment dimensions



d <sub>a</sub>	min.	31	mm
d <sub>b</sub>	min.	40	mm
D <sub>a</sub>	max.	54.9	mm
r <sub>a</sub>	max.	1	mm

## Calculation data

Basic dynamic load rating	C	64	kN
Basic static load rating	C	55	kN
Fatigue load limit	P <sub>u</sub>	6.95	kN
Reference speed		12000	r/min
Limiting speed		15000	r/min
Calculation factor	k <sub>r</sub>	0.25	
Limiting value	e	0.3	
Axial load factor	Y	0.4	

## Mass

Mass bearing		0.36	kg
--------------	--	------	----