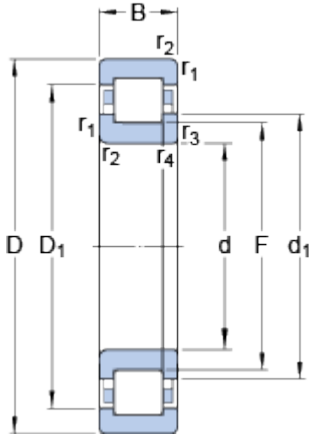


NUP 2216 ECP

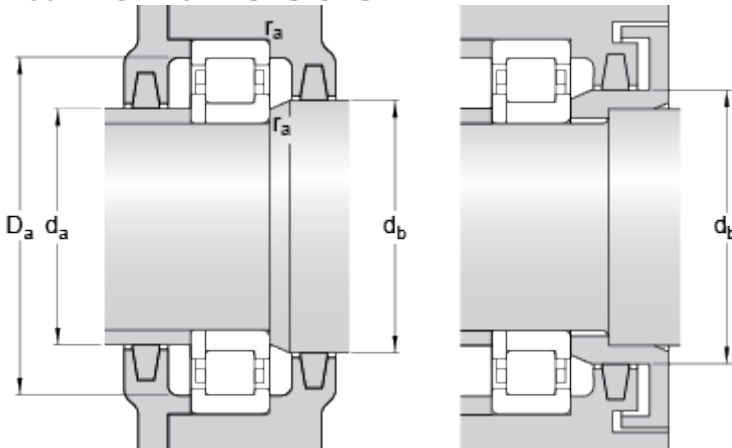
SKF Explorer

Dimensions



d	80	mm
D	140	mm
B	33	mm
d ₁	≈ 101	mm
D ₁	≈ 121.7	mm
F	95.3	mm
r _{1,2}	min. 2	mm
r _{3,4}	min. 2	mm

Abutment dimensions



d _a	min. 90	mm
d _b	min. 104	mm
D _a	max. 129.8	mm
r _a	max. 2	mm

Calculation data

Basic dynamic load rating	C	212	kN
Basic static load rating	C	245	kN
Fatigue load limit	P _u	31	kN
Reference speed		5300	r/min
Limiting speed		5600	r/min
Calculation factor	k _r	0.2	
Limiting value	e	0.3	
Axial load factor	Y	0.4	

Mass

Mass bearing	2.02	kg
--------------	------	----