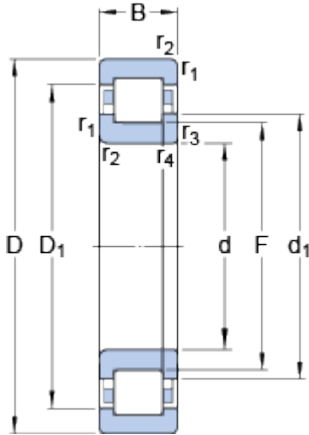


# NUP 2215 ECP

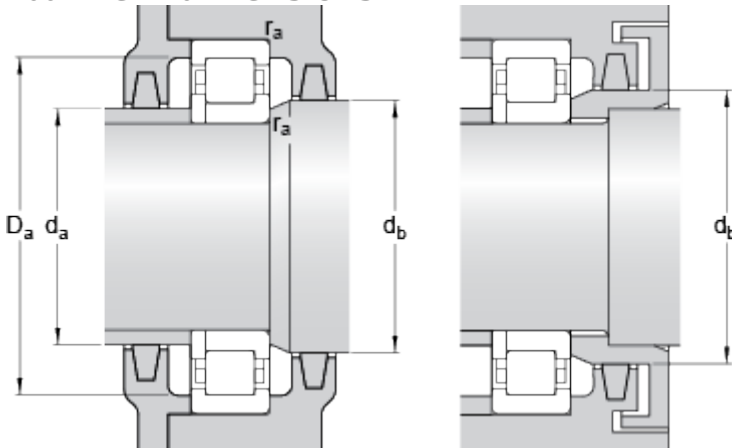
SKF Explorer

## Dimensions



d	75	mm
D	130	mm
B	31	mm
d <sub>1</sub>	≈ 94.3	mm
D <sub>1</sub>	≈ 113.2	mm
F	88.5	mm
r <sub>1,2</sub>	min. 1.5	mm
r <sub>3,4</sub>	min. 1.5	mm

## Abutment dimensions



d <sub>a</sub>	min. 84	mm
d <sub>b</sub>	min. 97	mm
D <sub>a</sub>	max. 121.5	mm
r <sub>a</sub>	max. 1.5	mm

## Calculation data

Basic dynamic load rating	C	186	kN
Basic static load rating	C	208	kN
Fatigue load limit	P <sub>u</sub>	27	kN
Reference speed		5600	r/min
Limiting speed		6000	r/min
Calculation factor	k <sub>r</sub>	0.2	
Limiting value	e	0.3	
Axial load factor	Y	0.4	

## Mass

Mass bearing	1.62	kg
--------------	------	----