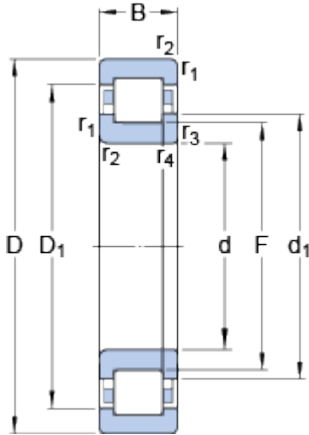


NUP 2215 ECJ

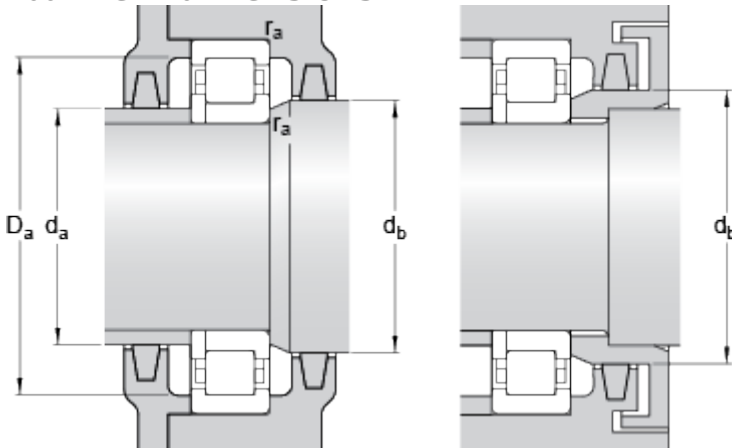
SKF Explorer

Dimensions



d		75	mm
D		130	mm
B		31	mm
d ₁	≈	94.3	mm
D ₁	≈	113.2	mm
F		88.5	mm
r _{1,2}	min.	1.5	mm
r _{3,4}	min.	1.5	mm

Abutment dimensions



d _a	min.	84	mm
d _b	min.	97	mm
D _a	max.	121.5	mm
r _a	max.	1.5	mm

Calculation data

Basic dynamic load rating	C	186	kN
Basic static load rating	C	208	kN
Fatigue load limit	P _u	27	kN
Reference speed		5600	r/min
Limiting speed		6000	r/min
Calculation factor	k _r	0.2	
Limiting value	e	0.3	
Axial load factor	Y	0.4	

Mass

Mass bearing		1.7	kg
--------------	--	-----	----