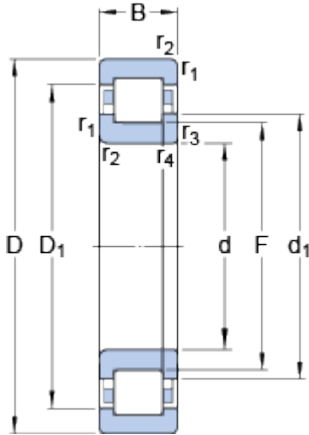


NUP 2214 ECP

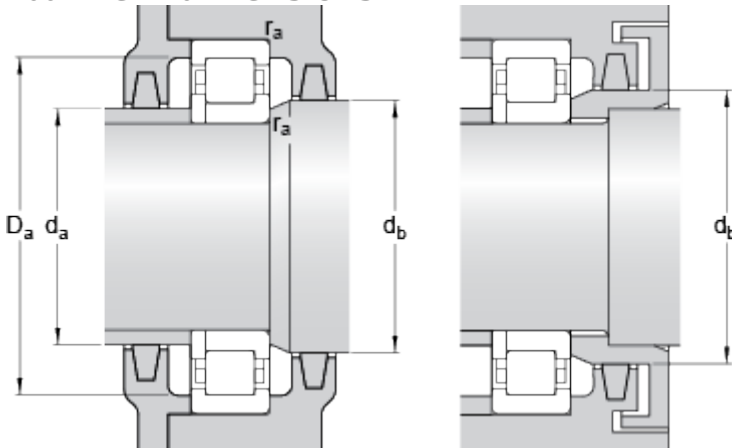
SKF Explorer

Dimensions



d	70	mm
D	125	mm
B	31	mm
d ₁	≈ 89.4	mm
D ₁	≈ 108.2	mm
F	83.5	mm
r _{1,2}	min. 1.5	mm
r _{3,4}	min. 1.5	mm

Abutment dimensions



d _a	min. 79	mm
d _b	min. 92	mm
D _a	max. 115.4	mm
r _a	max. 1.5	mm

Calculation data

Basic dynamic load rating	C	180	kN
Basic static load rating	C	193	kN
Fatigue load limit	P _u	25.5	kN
Reference speed		6000	r/min
Limiting speed		6300	r/min
Calculation factor	k _r	0.2	
Limiting value	e	0.3	
Axial load factor	Y	0.4	

Mass

Mass bearing	1.57	kg
--------------	------	----