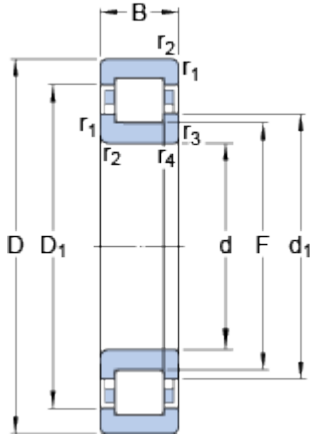


NUP 2213 ECP

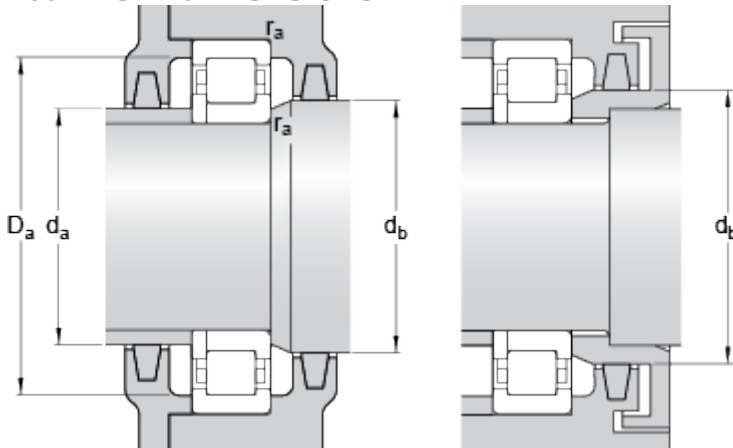
SKF Explorer

Dimensions



d	65	mm
D	120	mm
B	31	mm
d ₁	≈ 84.4	mm
D ₁	≈ 103.2	mm
F	78.5	mm
r _{1,2}	min. 1.5	mm
r _{3,4}	min. 1.5	mm

Abutment dimensions



d _a	min. 74	mm
d _b	min. 87	mm
D _a	max. 110.6	mm
r _a	max. 1.5	mm

Calculation data

Basic dynamic load rating	C	170	kN
Basic static load rating	C	180	kN
Fatigue load limit	P _u	24	kN
Reference speed		6300	r/min
Limiting speed		6700	r/min
Calculation factor	k _r	0.2	
Limiting value	e	0.3	
Axial load factor	Y	0.4	

Mass

Mass bearing	1.46	kg
--------------	------	----