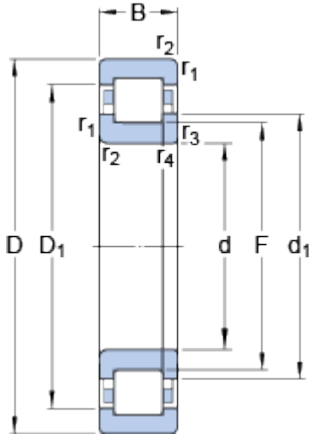


# NUP 2212 ECP

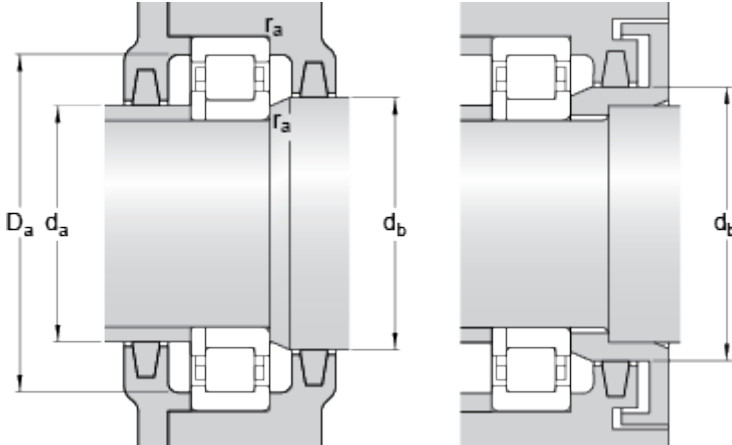
SKF Explorer

## Dimensions



d	60	mm
D	110	mm
B	28	mm
d <sub>1</sub>	≈ 77.5	mm
D <sub>1</sub>	≈ 95	mm
F	72	mm
r <sub>1,2</sub>	min. 1.5	mm
r <sub>3,4</sub>	min. 1.5	mm

## Abutment dimensions



d <sub>a</sub>	min. 68	mm
d <sub>b</sub>	min. 80	mm
D <sub>a</sub>	max. 101	mm
r <sub>a</sub>	max. 1.5	mm

## Calculation data

Basic dynamic load rating	C	146	kN
Basic static load rating	C	153	kN
Fatigue load limit	P <sub>u</sub>	20	kN
Reference speed		6700	r/min
Limiting speed		7500	r/min
Calculation factor	k <sub>r</sub>	0.2	
Limiting value	e	0.3	
Axial load factor	Y	0.4	

## Mass

Mass bearing	1.09	kg
--------------	------	----