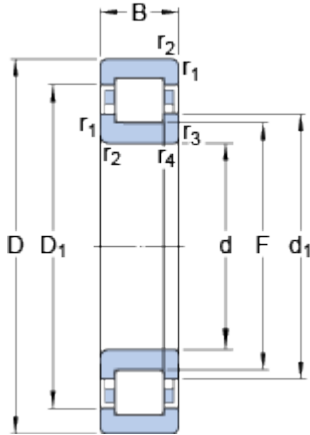


NUP 2211 ECP

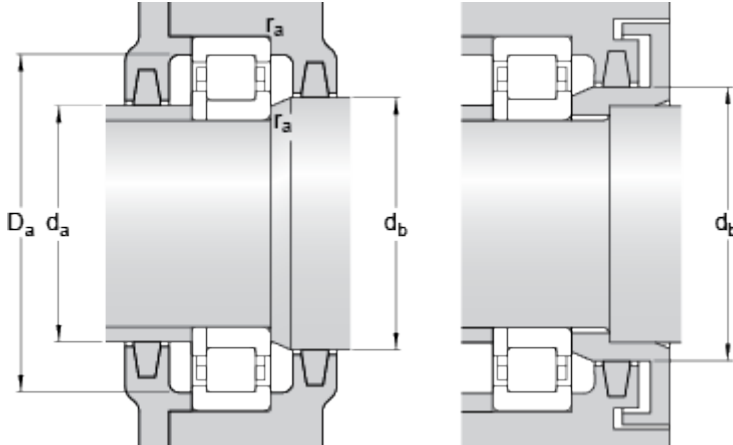
SKF Explorer

Dimensions



| | | |
|------------------|----------|----|
| d | 55 | mm |
| D | 100 | mm |
| B | 25 | mm |
| d ₁ | ≈ 70.8 | mm |
| D ₁ | ≈ 85.7 | mm |
| F | 66 | mm |
| r _{1,2} | min. 1.5 | mm |
| r _{3,4} | min. 1.1 | mm |

Abutment dimensions



| | | |
|----------------|-----------|----|
| d _a | min. 63 | mm |
| d _b | min. 73 | mm |
| D _a | max. 91.4 | mm |
| r _a | max. 1.5 | mm |

Calculation data

| | | | |
|---------------------------|----------------|------|-------|
| Basic dynamic load rating | C | 114 | kN |
| Basic static load rating | C | 118 | kN |
| Fatigue load limit | P _u | 15.3 | kN |
| Reference speed | | 7500 | r/min |
| Limiting speed | | 8000 | r/min |
| Calculation factor | k _r | 0.2 | |
| Limiting value | e | 0.3 | |
| Axial load factor | Y | 0.4 | |

Mass

| | | |
|--------------|------|----|
| Mass bearing | 0.82 | kg |
|--------------|------|----|