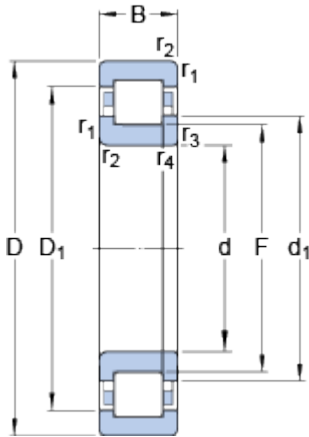


NUP 2207 ECP

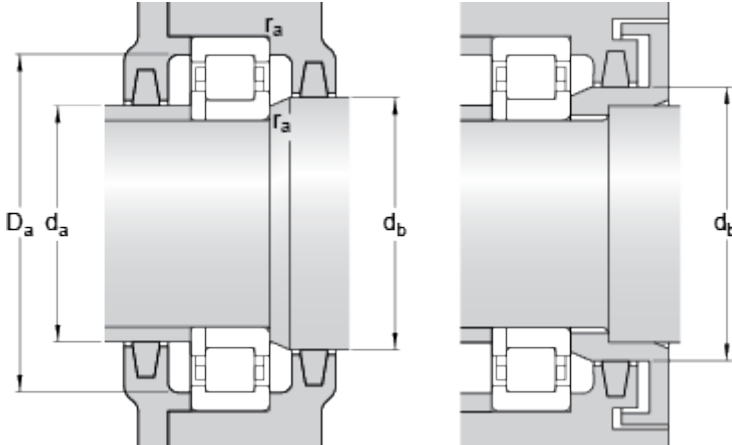
SKF Explorer

Dimensions



d		35	mm
D		72	mm
B		23	mm
d ₁	≈	48.1	mm
D ₁	≈	60.2	mm
F		44	mm
r _{1,2}	min.	1.1	mm
r _{3,4}	min.	0.6	mm

Abutment dimensions



d _a	min.	42	mm
d _b	min.	50	mm
D _a	max.	65.1	mm
r _a	max.	1	mm

Calculation data

Basic dynamic load rating	C	69.5	kN
Basic static load rating	C	63	kN
Fatigue load limit	P _u	8.15	kN
Reference speed		11000	r/min
Limiting speed		12000	r/min
Calculation factor	k _r	0.2	
Limiting value	e	0.3	
Axial load factor	Y	0.4	

Mass

Mass bearing		0.41	kg
--------------	--	------	----