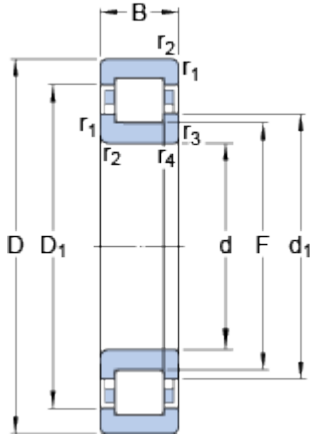


NUP 2205 ECP

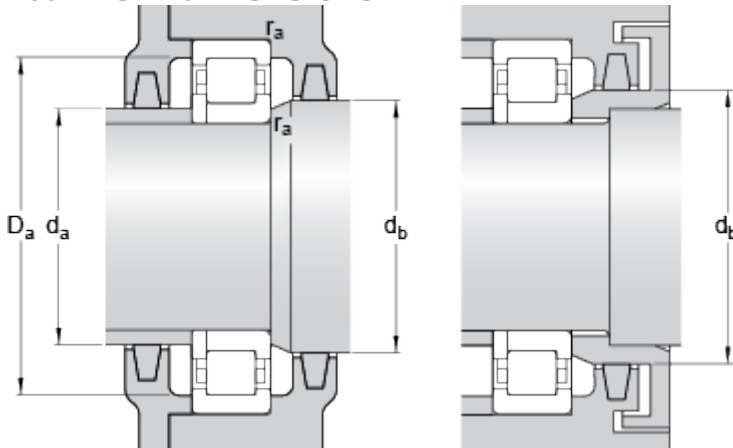
SKF Explorer

Dimensions



d		25	mm
D		52	mm
B		18	mm
d ₁	≈	34.7	mm
D ₁	≈	43.3	mm
F		31.5	mm
r _{1,2}	min.	1	mm
r _{3,4}	min.	0.6	mm

Abutment dimensions



d _a	min.	29.9	mm
d _b	min.	36	mm
D _a	max.	46.4	mm
r _a	max.	1	mm

Calculation data

Basic dynamic load rating	C	39	kN
Basic static load rating	C	34	kN
Fatigue load limit	P _u	4.25	kN
Reference speed		15000	r/min
Limiting speed		16000	r/min
Calculation factor	k _r	0.2	
Limiting value	e	0.3	
Axial load factor	Y	0.4	

Mass

Mass bearing		0.17	kg
--------------	--	------	----