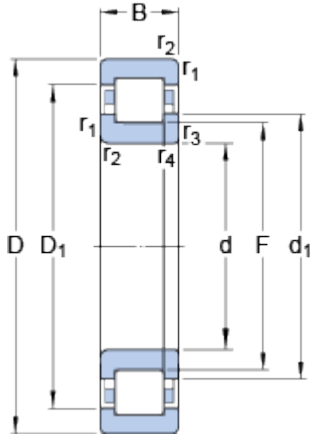


NUP 2203 ECP

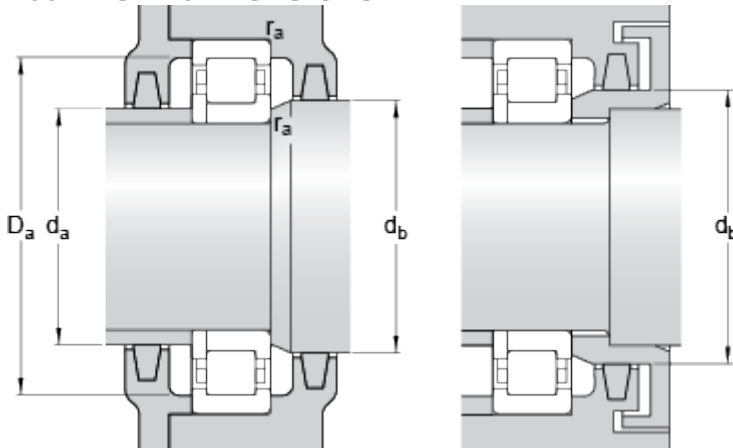
SKF Explorer

Dimensions



d		17	mm
D		40	mm
B		16	mm
d ₁	≈	25	mm
D ₁	≈	32.35	mm
F		22.1	mm
r _{1,2}	min.	0.6	mm
r _{3,4}	min.	0.3	mm

Abutment dimensions



d _a	min.	20.7	mm
d _b	min.	27	mm
D _a	max.	36	mm
r _a	max.	0.6	mm

Calculation data

Basic dynamic load rating	C	27.5	kN
Basic static load rating	C	21.6	kN
Fatigue load limit	P _u	2.65	kN
Reference speed		20000	r/min
Limiting speed		22000	r/min
Calculation factor	k _r	0.2	
Limiting value	e	0.3	
Axial load factor	Y	0.4	

Mass

Mass bearing		0.097	kg
--------------	--	-------	----