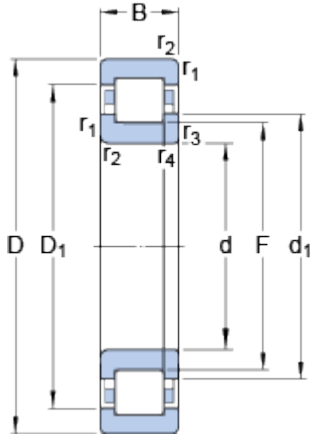


NUP 216 ECP

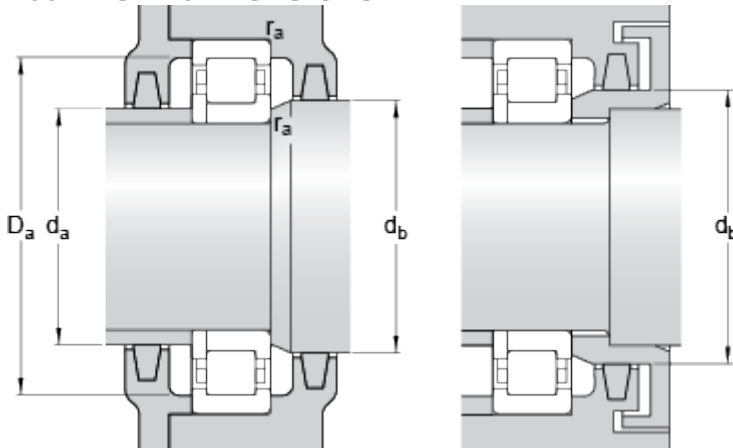
SKF Explorer

Dimensions



| | | | |
|------------------|------|-------|----|
| d | | 80 | mm |
| D | | 140 | mm |
| B | | 26 | mm |
| d ₁ | ≈ | 101 | mm |
| D ₁ | ≈ | 121.7 | mm |
| F | | 95.3 | mm |
| r _{1,2} | min. | 2 | mm |
| r _{3,4} | min. | 2 | mm |

Abutment dimensions



| | | | |
|----------------|------|-------|----|
| d _a | min. | 90 | mm |
| d _b | min. | 104 | mm |
| D _a | max. | 129.8 | mm |
| r _a | max. | 2 | mm |

Calculation data

| | | | |
|---------------------------|----------------|------|-------|
| Basic dynamic load rating | C | 160 | kN |
| Basic static load rating | C | 166 | kN |
| Fatigue load limit | P _u | 21.2 | kN |
| Reference speed | | 5300 | r/min |
| Limiting speed | | 5600 | r/min |
| Calculation factor | k _r | 0.15 | |
| Limiting value | e | 0.2 | |
| Axial load factor | Y | 0.6 | |

Mass

| | | | |
|--------------|--|------|----|
| Mass bearing | | 1.57 | kg |
|--------------|--|------|----|