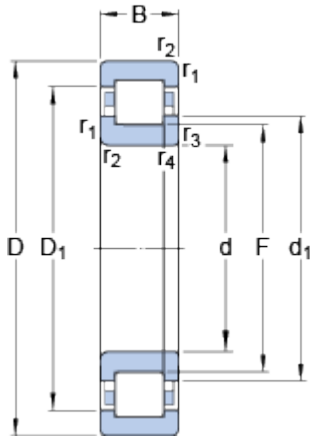


NUP 213 ECP

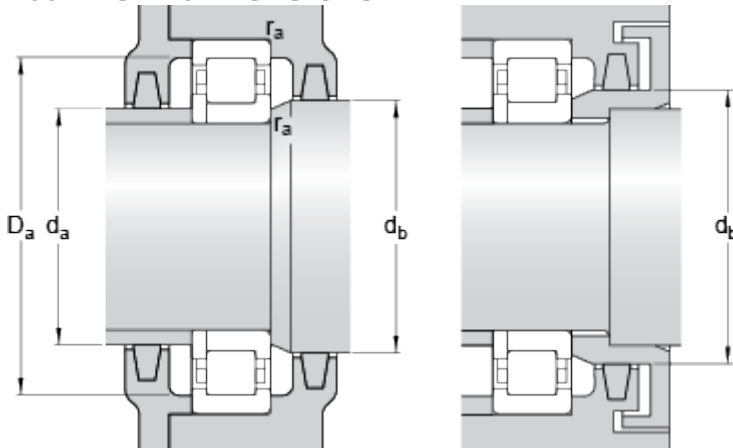
SKF Explorer

Dimensions



d		65	mm
D		120	mm
B		23	mm
d ₁	≈	84.4	mm
D ₁	≈	103.2	mm
F		78.5	mm
r _{1,2}	min.	1.5	mm
r _{3,4}	min.	1.5	mm

Abutment dimensions



d _a	min.	76	mm
d _b	min.	87	mm
D _a	max.	110.6	mm
r _a	max.	1.5	mm

Calculation data

Basic dynamic load rating	C	122	kN
Basic static load rating	C	118	kN
Fatigue load limit	P _u	15.6	kN
Reference speed		6300	r/min
Limiting speed		6700	r/min
Calculation factor	k _r	0.15	
Limiting value	e	0.2	
Axial load factor	Y	0.6	

Mass

Mass bearing		1.06	kg
--------------	--	------	----