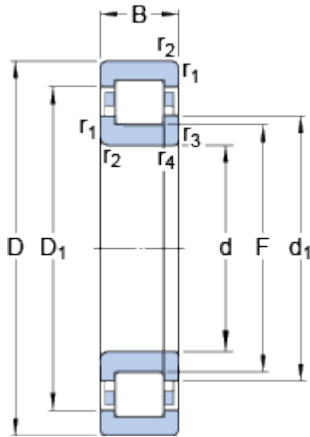


NUP 208 ECP

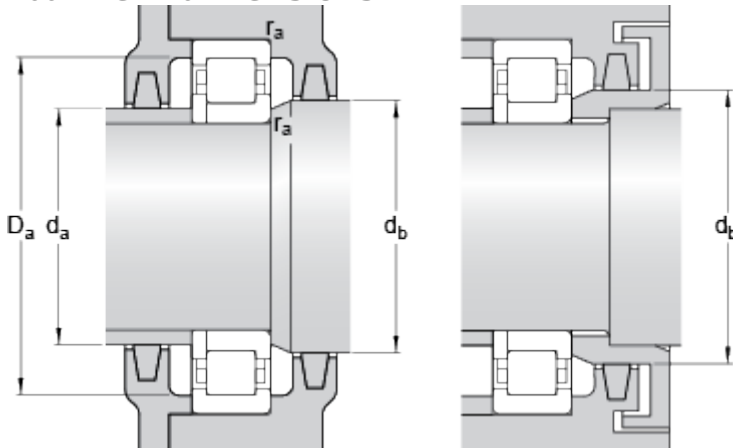
SKF Explorer

Dimensions



d		40	mm
D		80	mm
B		18	mm
d ₁	≈	54	mm
D ₁	≈	67.4	mm
F		49.5	mm
r _{1,2}	min.	1.1	mm
r _{3,4}	min.	1.1	mm

Abutment dimensions



d _a	min.	47	mm
d _b	min.	56	mm
D _a	max.	72.8	mm
r _a	max.	1	mm

Calculation data

Basic dynamic load rating	C	62	kN
Basic static load rating	C	53	kN
Fatigue load limit	P _u	6.7	kN
Reference speed		9500	r/min
Limiting speed		11000	r/min
Calculation factor	k _r	0.15	
Limiting value	e	0.2	
Axial load factor	Y	0.6	

Mass

Mass bearing		0.39	kg
--------------	--	------	----