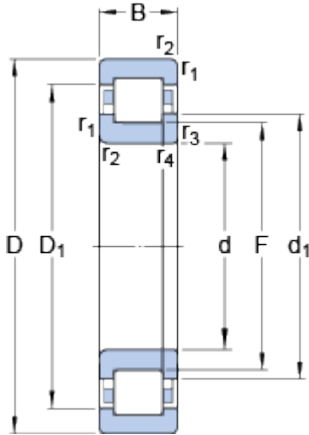


NUP 207 ECP

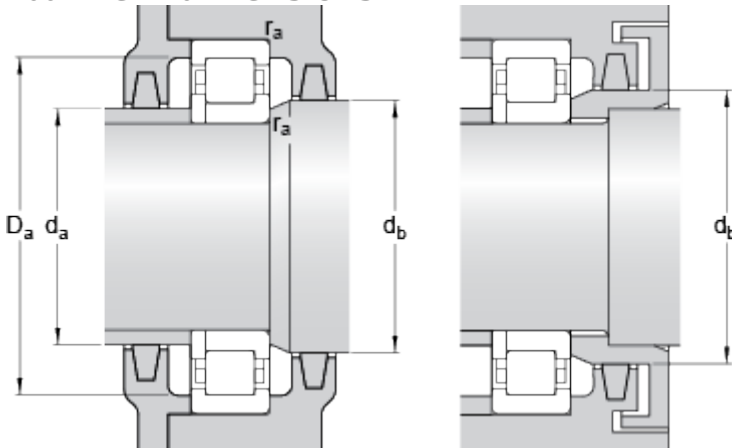
SKF Explorer

Dimensions



d		35	mm
D		72	mm
B		17	mm
d ₁	≈	48.1	mm
D ₁	≈	60.2	mm
F		44	mm
r _{1,2}	min.	1.1	mm
r _{3,4}	min.	0.6	mm

Abutment dimensions



d _a	min.	41.8	mm
d _b	min.	50	mm
D _a	max.	65.1	mm
r _a	max.	1	mm

Calculation data

Basic dynamic load rating	C	56	kN
Basic static load rating	C	48	kN
Fatigue load limit	P _u	6.1	kN
Reference speed		11000	r/min
Limiting speed		12000	r/min
Calculation factor	k _r	0.15	
Limiting value	e	0.2	
Axial load factor	Y	0.6	

Mass

Mass bearing		0.31	kg
--------------	--	------	----