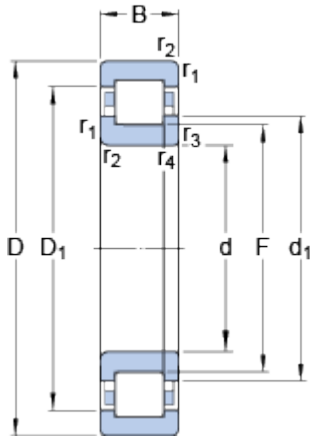


NUP 204 ECP

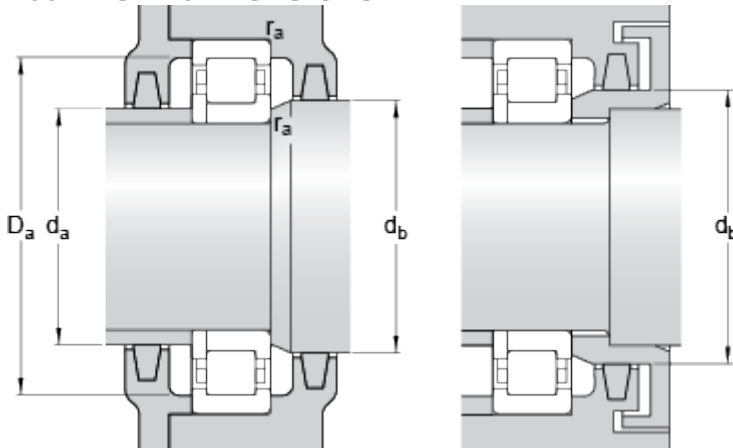
SKF Explorer

Dimensions



d	20	mm
D	47	mm
B	14	mm
d ₁	≈ 29.7	mm
D ₁	≈ 38.44	mm
F	26.5	mm
r _{1,2}	min. 1	mm
r _{3,4}	min. 0.6	mm

Abutment dimensions



d _a	min. 25	mm
d _b	min. 31	mm
D _a	max. 41.7	mm
r _a	max. 1	mm

Calculation data

Basic dynamic load rating	C	28.5	kN
Basic static load rating	C	22	kN
Fatigue load limit	P _u	2.75	kN
Reference speed		17000	r/min
Limiting speed		19000	r/min
Calculation factor	k _r	0.15	
Limiting value	e	0.2	
Axial load factor	Y	0.6	

Mass

Mass bearing	0.12	kg
--------------	------	----