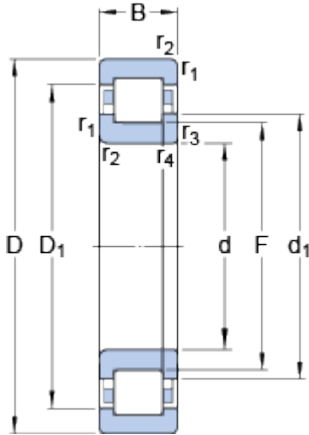


NUP 203 ECP

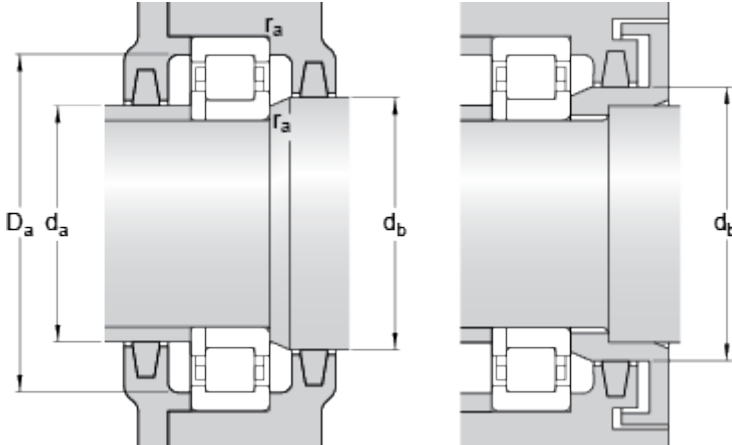
SKF Explorer

Dimensions



d	17	mm
D	40	mm
B	12	mm
d ₁	≈ 25	mm
D ₁	≈ 32.35	mm
F	22.1	mm
r _{1,2}	min. 0.6	mm
r _{3,4}	min. 0.3	mm

Abutment dimensions



d _a	min. 20.7	mm
d _b	min. 27	mm
D _a	max. 36	mm
r _a	max. 0.6	mm

Calculation data

Basic dynamic load rating	C	20	kN
Basic static load rating	C	14.3	kN
Fatigue load limit	P _u	1.73	kN
Reference speed		20000	r/min
Limiting speed		22000	r/min
Calculation factor	k _r	0.15	
Limiting value	e	0.2	
Axial load factor	Y	0.6	

Mass

Mass bearing	0.072	kg
--------------	-------	----