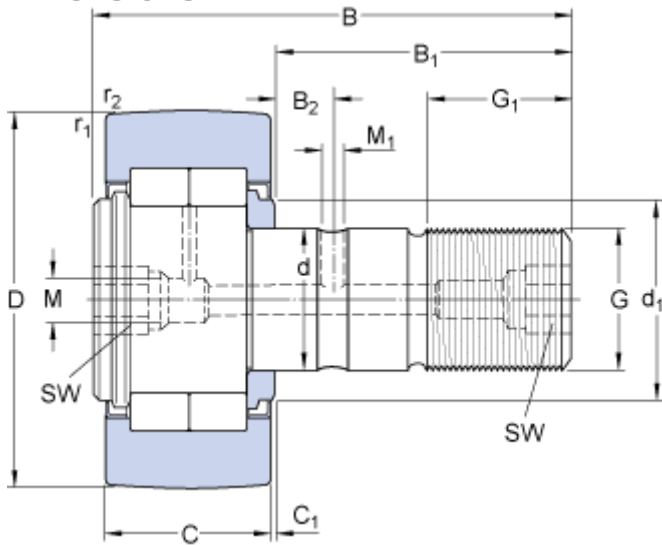


# NUKR 52 A

## Dimensions



D	52	mm
d	20	mm
B	66	mm
C	24	mm
B <sub>1</sub>	40.5	mm
B <sub>2</sub>	9	mm
C <sub>1</sub>	0.8	mm
d <sub>1</sub>	31	mm
G	M 20x1.5	
G <sub>1</sub>	21	mm
M	6	mm
M <sub>1</sub>	4	mm
SW	10	mm
r <sub>1,2</sub>	min. 1	mm

## Calculation data

Basic dynamic load rating	C	29.7	kN
Basic static load rating	C	36	kN
Fatigue load limit	P <sub>u</sub>	4.25	kN
Maximum dynamic radial loads	F <sub>r</sub>	max. 18	kN
Maximum static radial loads	F <sub>or</sub>	max. 25.5	kN
Limiting speed		3200	r/min

## Mass

Mass cam follower	0.45	kg
-------------------	------	----

## Mounting information

Recommended tightening torque	120	N·m
-------------------------------	-----	-----

## Included products

Grease fitting	NIP A2x7.5
Hexagonal nut	M 20x1.5

## Associated products

Lubrication adapter	AP 10
---------------------	-------

