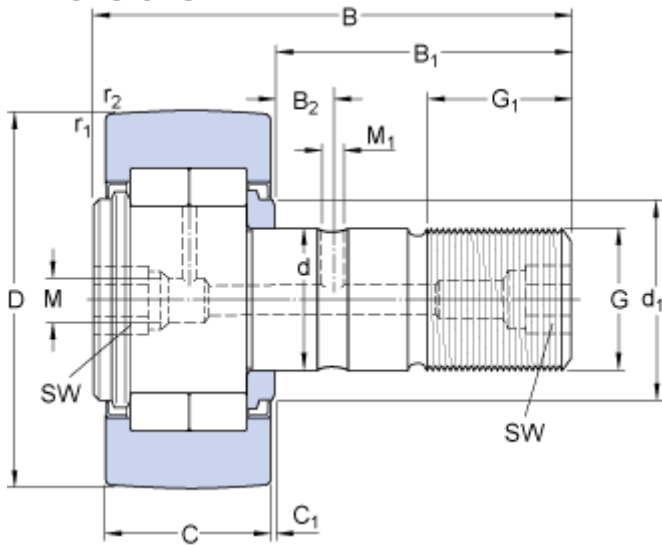


# NUKR 40 A

## Dimensions



D	40	mm
d	18	mm
B	58	mm
C	20	mm
B <sub>1</sub>	36.5	mm
B <sub>2</sub>	8	mm
C <sub>1</sub>	0.8	mm
d <sub>1</sub>	22	mm
G	M 18x1.5	
G <sub>1</sub>	19	mm
M	6	mm
M <sub>1</sub>	3	mm
SW	8	mm
r <sub>1,2</sub>	min. 1	mm

## Calculation data

Basic dynamic load rating	C	19	kN
Basic static load rating	C	22	kN
Fatigue load limit	P <sub>u</sub>	2.5	kN
Maximum dynamic radial loads	F <sub>r</sub>	max. 14	kN
Maximum static radial loads	F <sub>0r</sub>	max. 20	kN
Limiting speed		4500	r/min

## Mass

Mass cam follower	0.24	kg
-------------------	------	----

## Mounting information

Recommended tightening torque	87	N·m
-------------------------------	----	-----

## Included products

Grease fitting	NIP A2x7.5
Hexagonal nut	M 18x1.5

## Associated products

Lubrication adapter	AP 8
---------------------	------

