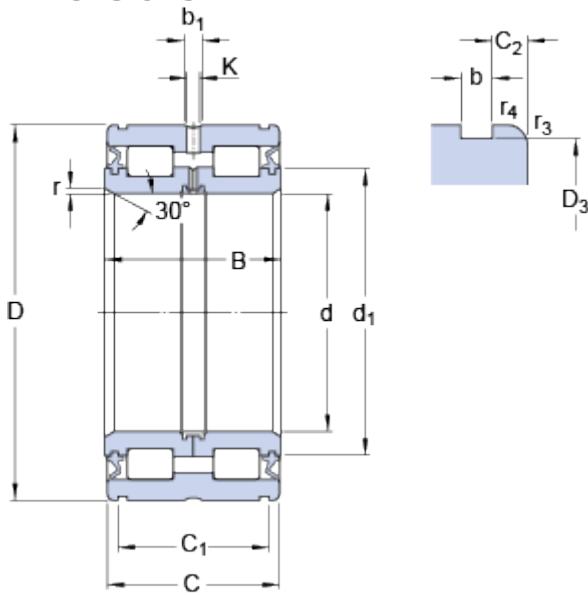


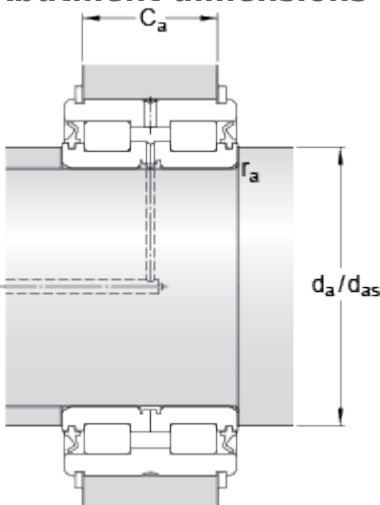
# NNF 5010 ADB-2LSV

## Dimensions



d	50	mm
D	80	mm
B	40	mm
C	39	mm
d <sub>1</sub>	≈ 61.8	mm
D <sub>3</sub>	77.8	mm
C <sub>1</sub>	34.2	mm
	+ 0.2	mm
C <sub>2</sub>	2.4	mm
b	2.7	mm
b <sub>1</sub>	8.5	mm
K	4.5	mm
r	min. 0.8	mm
r <sub>3,4</sub>	min. 0.6	mm

## Abutment dimensions



d <sub>a</sub>	min. 54	mm
d <sub>as</sub>	59.5	mm
C <sub>a1</sub>	30	mm
	- 0.2	mm
C <sub>a2</sub>	29	mm
	- 0.2	mm
r <sub>a</sub>	max. 0.4	mm

C<sub>a1</sub> applies for SW snap rings and C<sub>a2</sub> for snap rings in accordance with DIN 471

## Calculation data

Basic dynamic load rating	C	108	kN
Basic static load rating	C	160	kN
Fatigue load limit	P <sub>u</sub>	18.6	kN
Limiting speed		1700	r/min
Calculation factor	k <sub>r</sub>	0.4	

## Mass

Mass bearing	0.76	kg
--------------	------	----

## Associated products

---

Snap ring Seeger

SW 80

Snap ring in accordance with DIN 471

80x2.5