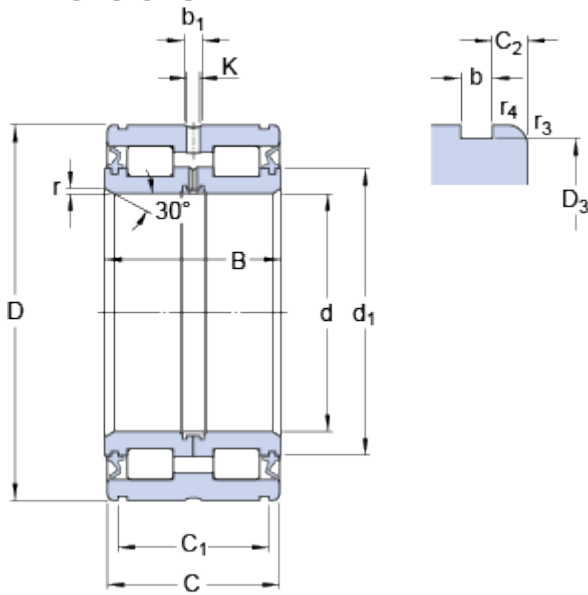


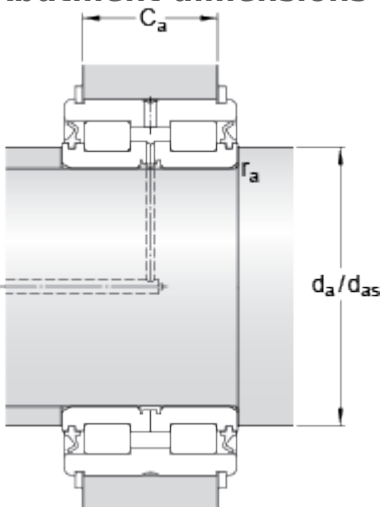
NNF 5008 ADB-2LSV

Dimensions



d		40	mm
D		68	mm
B		38	mm
C		37	mm
d ₁	≈	51.4	mm
D ₃		65.8	mm
C ₁		32.2	mm
	+	0.2	mm
C ₂		2.4	mm
b		2.7	mm
b ₁		7.5	mm
K		4.5	mm
r	min.	0.8	mm
r _{3,4}	min.	0.6	mm

Abutment dimensions



d _a	min.	44	mm
d _{as}		49.2	mm
C _{a1}		28	mm
	-	0.2	mm
C _{a2}		27	mm
	-	0.2	mm
r _a	max.	0.4	mm

C_{a1} applies for SW snap rings and C_{a2} for snap rings in accordance with DIN 471

Calculation data

Basic dynamic load rating	C	85.8	kN
Basic static load rating	C	116	kN
Fatigue load limit	P _u	13.2	kN
Limiting speed		2000	r/min
Calculation factor	k _r	0.4	

Mass

Mass bearing		0.56	kg
--------------	--	------	----

Associated products

Snap ring Seeger

SW 68

Snap ring in accordance with DIN 471

68x2.5