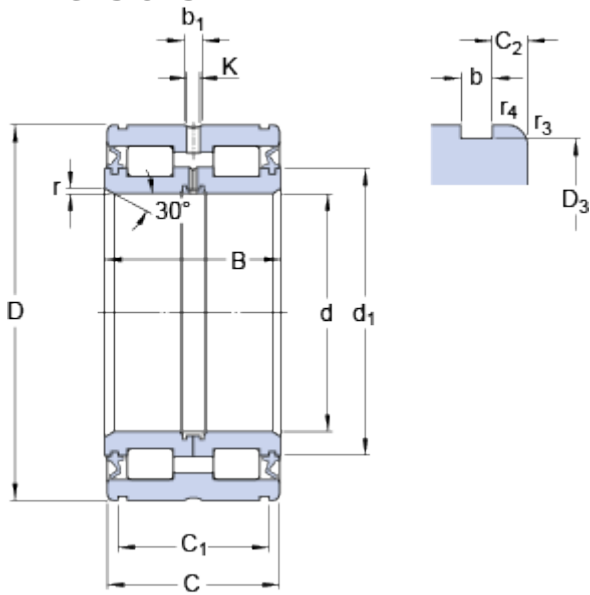


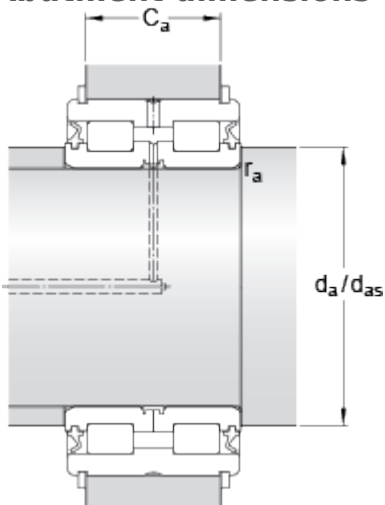
NNF 5007 ADB-2LSV

Dimensions



d		35	mm
D		62	mm
B		36	mm
C		35	mm
d ₁	≈	46.1	mm
D ₃		60	mm
C ₁		30.2	mm
	+	0.2	mm
C ₂		2.4	mm
b		2.1	mm
b ₁		7.5	mm
K		4.5	mm
r	min.	0.5	mm
r _{3,4}	min.	0.3	mm

Abutment dimensions



d _a	min.	39	mm
d _{as}		44	mm
C _{a1}		27	mm
	-	0.2	mm
C _{a2}		26	mm
	-	0.2	mm
r _a	max.	0.3	mm

C_{a1} applies for SW snap rings and C_{a2} for snap rings in accordance with DIN 471

Calculation data

Basic dynamic load rating	C	70.4	kN
Basic static load rating	C	98	kN
Fatigue load limit	P _u	10.6	kN
Limiting speed		2200	r/min
Calculation factor	k _r	0.4	

Mass

Mass bearing	0.48	kg
--------------	------	----

Associated products

Snap ring Seeger

SW 62

Snap ring in accordance with DIN 471

62x2