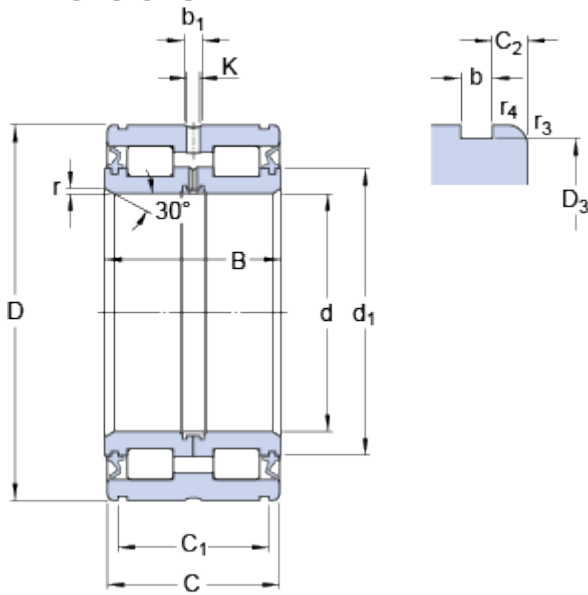


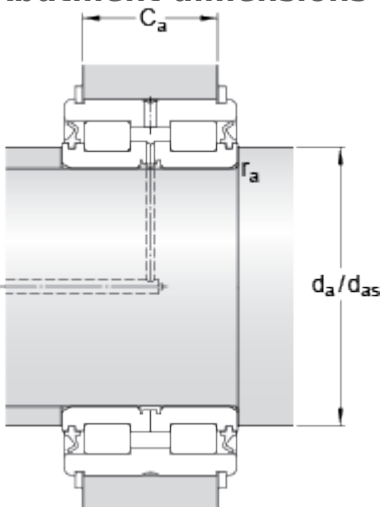
NNF 5006 ADB-2LSV

Dimensions



d		30	mm
D		55	mm
B		34	mm
C		33	mm
d ₁	≈	40.6	mm
D ₃		53	mm
C ₁		28.2	mm
	+	0.2	mm
C ₂		2.4	mm
b		2.1	mm
b ₁		7.5	mm
K		4.5	mm
r	min.	0.5	mm
r _{3,4}	min.	0.3	mm

Abutment dimensions



d _a	min.	34	mm
d _{as}		38.7	mm
C _{a1}		25	mm
	-	0.2	mm
C _{a2}		24	mm
	-	0.2	mm
r _a	max.	0.3	mm

C_{a1} applies for SW snap rings and C_{a2} for snap rings in accordance with DIN 471

Calculation data

Basic dynamic load rating	C	57.2	kN
Basic static load rating	C	75	kN
Fatigue load limit	P _u	7.8	kN
Limiting speed		2600	r/min
Calculation factor	k _r	0.4	

Mass

Mass bearing		0.37	kg
--------------	--	------	----

Associated products

Snap ring Seeger

SW 55

Snap ring in accordance with DIN 471

55x2