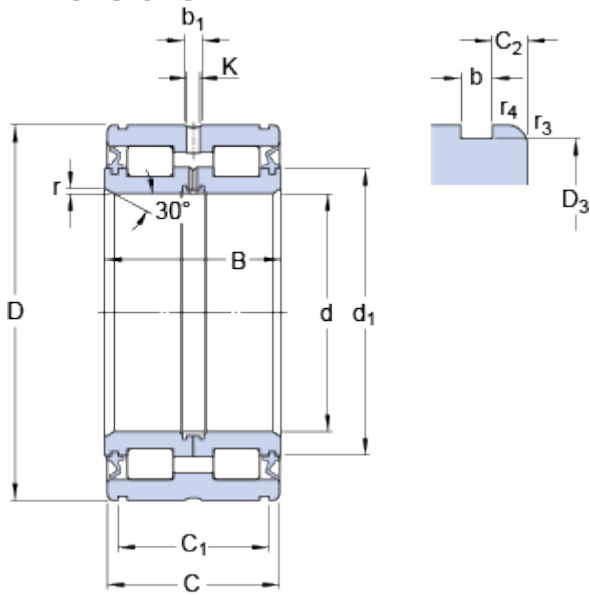


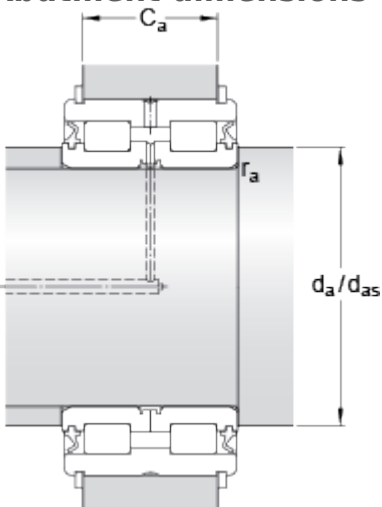
NNF 5005 ADB-2LSV

Dimensions



d	25	mm
D	47	mm
B	30	mm
C	29	mm
d ₁	≈ 35.4	mm
D ₃	45.2	mm
C ₁	24.7	mm
	+ 0.2	mm
C ₂	2.15	mm
b	1.8	mm
b ₁	6.5	mm
K	3.5	mm
r	min. 0.5	mm
r _{3,4}	min. 0.3	mm

Abutment dimensions



d _a	min. 29	mm
d _{as}	33.6	mm
C _{a1}	21.5	mm
	- 0.2	mm
C _{a2}	21	mm
	- 0.2	mm
r _a	max. 0.3	mm

C_{a1} applies for SW snap rings and C_{a2} for snap rings in accordance with DIN 471

Calculation data

Basic dynamic load rating	C	50.1	kN
Basic static load rating	C	65.5	kN
Fatigue load limit	P _u	6.8	kN
Limiting speed		3000	r/min
Calculation factor	k _r	0.4	

Mass

Mass bearing	0.24	kg
--------------	------	----

Associated products

Snap ring Seeger

SW 47

Snap ring in accordance with DIN 471

47x1.75