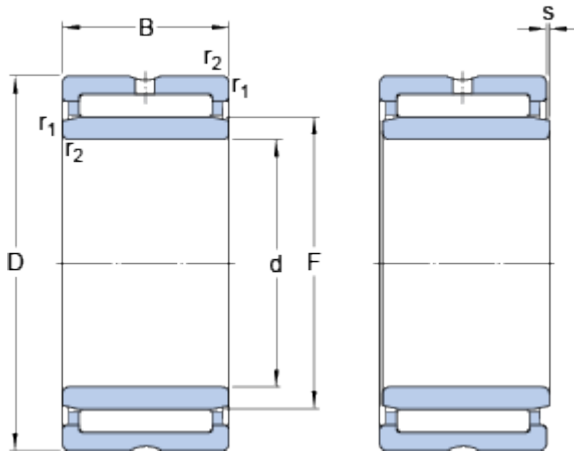


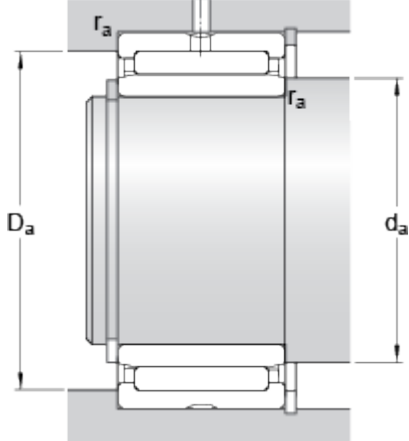
NKIS 55

Dimensions



d		55	mm
D		85	mm
B		28	mm
F		65	mm
r _{1,2}	min.	1.1	mm
s	max.	2	mm

Abutment dimensions



d _a	min.	61.5	mm
D _a	max.	78.5	mm
r _a	max.	1	mm

Calculation data

Basic dynamic load rating	C	66	kN
Basic static load rating	C	114	kN
Fatigue load limit	P _u	14.6	kN
Reference speed		6000	r/min
Limiting speed		6700	r/min

Mass

Mass bearing		0.56	kg
--------------	--	------	----