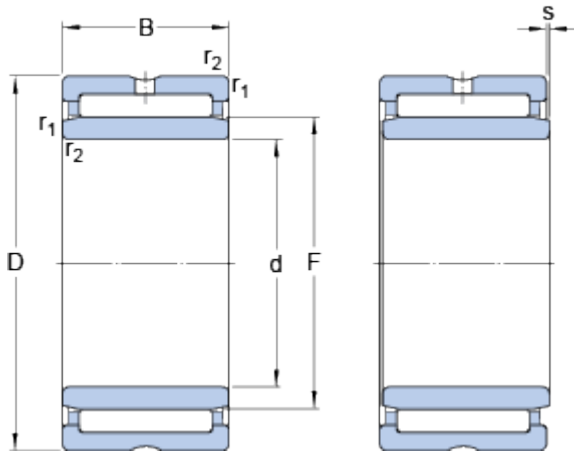


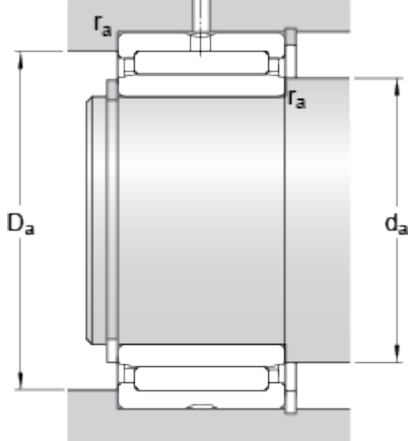
# NKIS 50

## Dimensions



d		50	mm
D		80	mm
B		28	mm
F		60	mm
r <sub>1,2</sub>	min.	1.1	mm
s	max.	2	mm

## Abutment dimensions



d <sub>a</sub>	min.	56.5	mm
D <sub>a</sub>	max.	73.5	mm
r <sub>a</sub>	max.	1	mm

## Calculation data

Basic dynamic load rating	C	62.7	kN
Basic static load rating	C	104	kN
Fatigue load limit	P <sub>u</sub>	13.2	kN
Reference speed		6300	r/min
Limiting speed		7500	r/min

## Mass

Mass bearing		0.52	kg
--------------	--	------	----