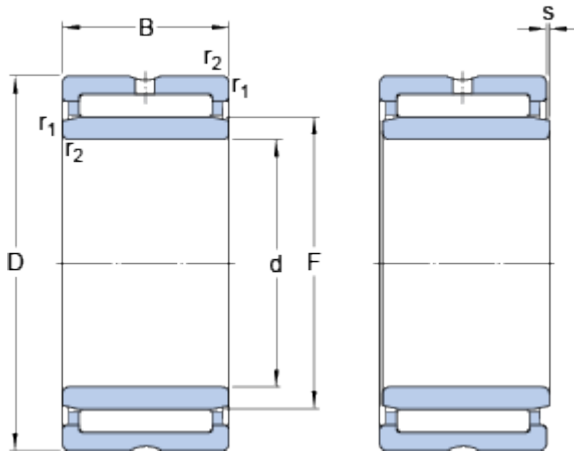


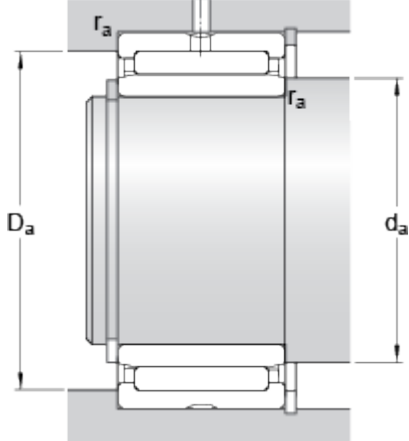
# NKIS 45

## Dimensions



d		45	mm
D		72	mm
B		22	mm
F		55	mm
r <sub>1,2</sub>	min.	1	mm
s	max.	0.5	mm

## Abutment dimensions



d <sub>a</sub>	min.	50	mm
D <sub>a</sub>	max.	67	mm
r <sub>a</sub>	max.	1	mm

## Calculation data

Basic dynamic load rating	C	44.6	kN
Basic static load rating	C	78	kN
Fatigue load limit	P <sub>u</sub>	9.8	kN
Reference speed		7000	r/min
Limiting speed		8000	r/min

## Mass

Mass bearing		0.34	kg
--------------	--	------	----