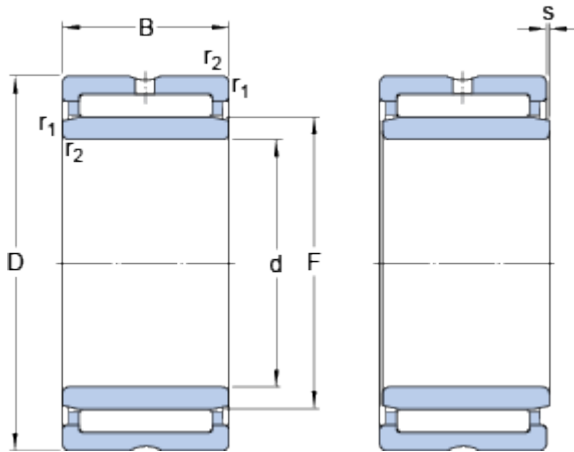


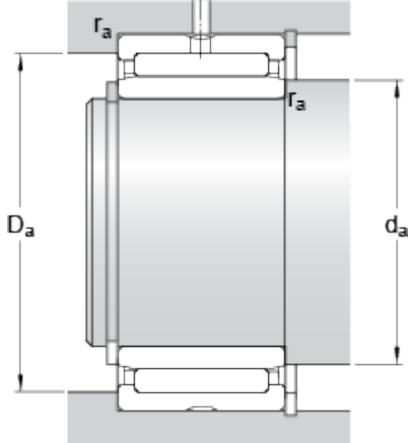
NKIS 40

Dimensions



d		40	mm
D		65	mm
B		22	mm
F		50	mm
r _{1,2}	min.	1	mm
s	max.	0.5	mm

Abutment dimensions



d _a	min.	45	mm
D _a	max.	60	mm
r _a	max.	1	mm

Calculation data

Basic dynamic load rating	C	42.9	kN
Basic static load rating	C	72	kN
Fatigue load limit	P _u	8.8	kN
Reference speed		8000	r/min
Limiting speed		9000	r/min

Mass

Mass bearing		0.28	kg
--------------	--	------	----