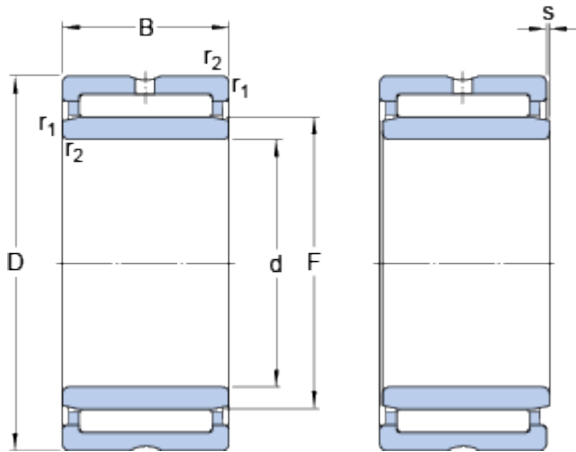


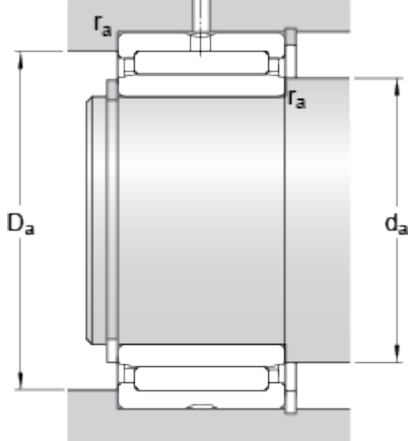
# NKIS 35

## Dimensions



d		35	mm
D		58	mm
B		22	mm
F		43	mm
r <sub>1,2</sub>	min.	0.6	mm
s	max.	0.5	mm

## Abutment dimensions



d <sub>a</sub>	min.	39	mm
D <sub>a</sub>	max.	53	mm
r <sub>a</sub>	max.	0.6	mm

## Calculation data

Basic dynamic load rating	C	39.1	kN
Basic static load rating	C	61	kN
Fatigue load limit	P <sub>u</sub>	7.5	kN
Reference speed		9000	r/min
Limiting speed		10000	r/min

## Mass

Mass bearing		0.22	kg
--------------	--	------	----