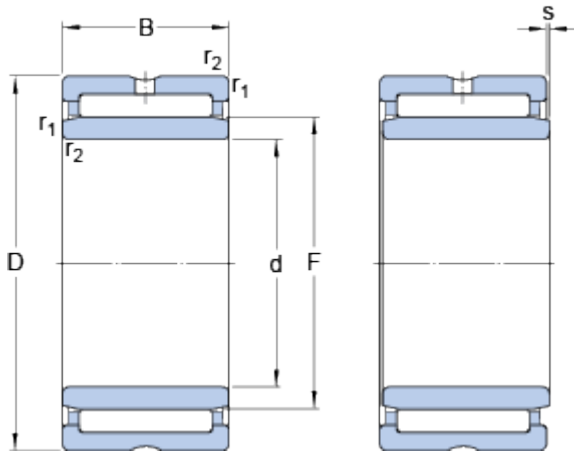


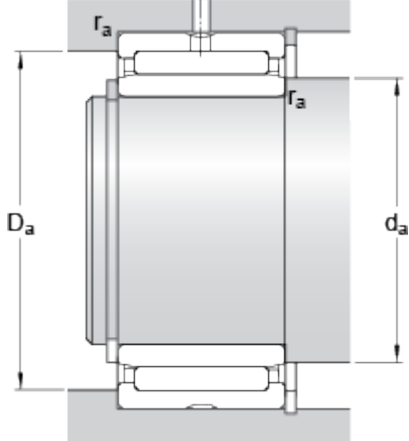
NKIS 30

Dimensions



d		30	mm
D		52	mm
B		22	mm
F		37	mm
r _{1,2}	min.	0.6	mm
s	max.	1	mm

Abutment dimensions



d _a	min.	34	mm
D _a	max.	48	mm
r _a	max.	0.6	mm

Calculation data

Basic dynamic load rating	C	36.9	kN
Basic static load rating	C	54	kN
Fatigue load limit	P _u	6.55	kN
Reference speed		10000	r/min
Limiting speed		12000	r/min

Mass

Mass bearing		0.18	kg
--------------	--	------	----