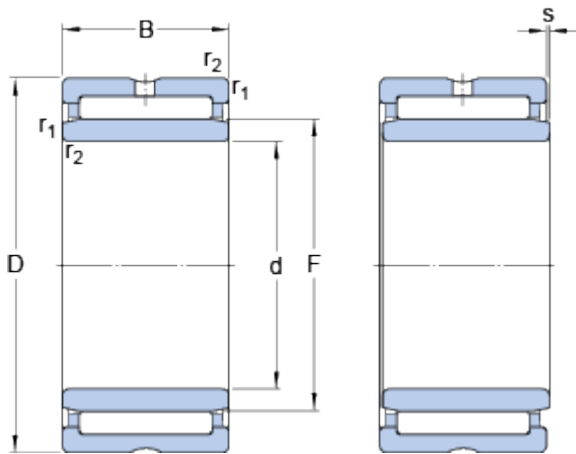


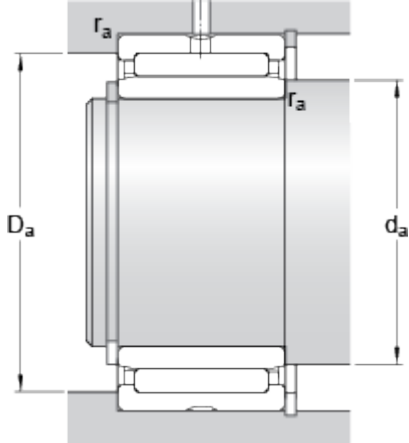
NKIS 25

Dimensions



| | | | |
|-----------|------|-----|----|
| d | | 25 | mm |
| D | | 47 | mm |
| B | | 22 | mm |
| F | | 32 | mm |
| $r_{1,2}$ | min. | 0.6 | mm |
| s | max. | 1 | mm |

Abutment dimensions



| | | | |
|-------|------|-----|----|
| d_a | min. | 29 | mm |
| D_a | max. | 43 | mm |
| r_a | max. | 0.6 | mm |

Calculation data

| | | | |
|---------------------------|-------|-------|-------|
| Basic dynamic load rating | C | 34.1 | kN |
| Basic static load rating | C | 46.5 | kN |
| Fatigue load limit | P_u | 5.7 | kN |
| Reference speed | | 12000 | r/min |
| Limiting speed | | 13000 | r/min |

Mass

| | | | |
|--------------|--|------|----|
| Mass bearing | | 0.16 | kg |
|--------------|--|------|----|