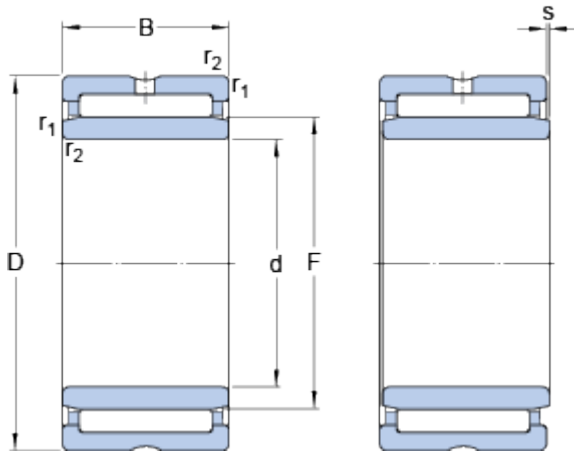


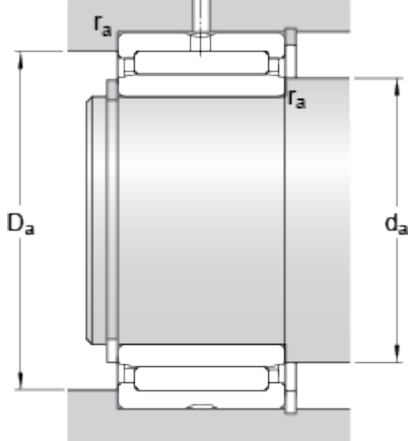
NKIS 20

Dimensions



d		20	mm
D		42	mm
B		20	mm
F		28	mm
r _{1,2}	min.	0.6	mm
s	max.	0.5	mm

Abutment dimensions



d _a	min.	24	mm
D _a	max.	38	mm
r _a	max.	0.6	mm

Calculation data

Basic dynamic load rating	C	28.6	kN
Basic static load rating	C	39	kN
Fatigue load limit	P _u	4.75	kN
Reference speed		13000	r/min
Limiting speed		15000	r/min

Mass

Mass bearing		0.13	kg
--------------	--	------	----