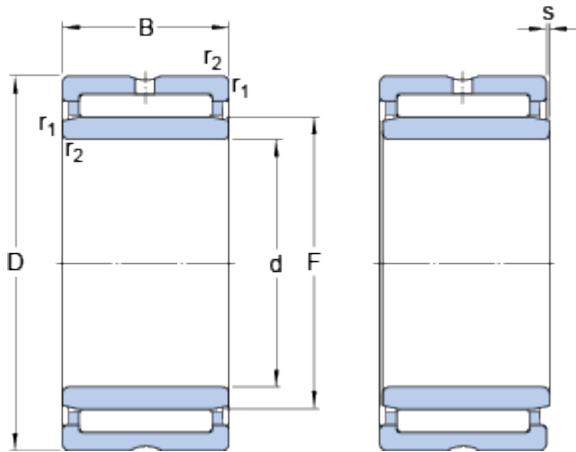


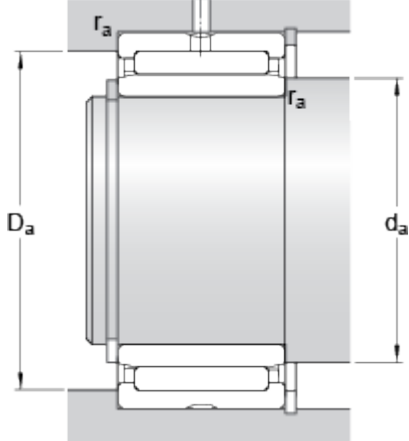
NKIS 17

Dimensions



d		17	mm
D		37	mm
B		20	mm
F		24	mm
r _{1,2}	min.	0.6	mm
s	max.	0.5	mm

Abutment dimensions



d _a	min.	21	mm
D _a	max.	33	mm
r _a	max.	0.6	mm

Calculation data

Basic dynamic load rating	C	26	kN
Basic static load rating	C	33.5	kN
Fatigue load limit	P _u	4	kN
Reference speed		15000	r/min
Limiting speed		17000	r/min

Mass

Mass bearing		0.098	kg
--------------	--	-------	----