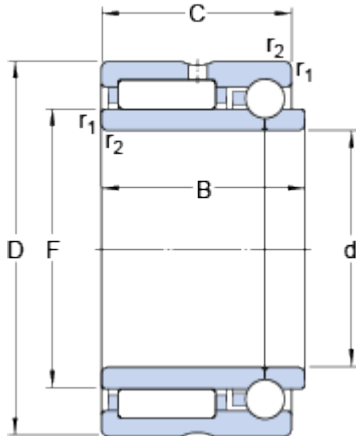


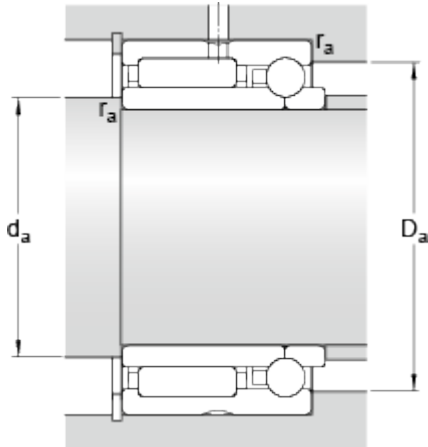
# NKIB 5913

## Dimensions



d	65	mm
D	90	mm
B	38	mm
C	34	mm
F	72	mm
r <sub>1,2</sub>	min. 1	mm

## Abutment dimensions



d <sub>a</sub>	min. 70	mm
D <sub>a</sub>	max. 85	mm
r <sub>a</sub>	max. 1	mm

## Calculation data

Basic dynamic load rating, radial direction	C	61.6	kN
Basic static load rating, radial direction	C	120	kN
Basic dynamic load rating, axial direction	C	9.96	kN
Basic static load rating, axial direction	C	19.2	kN
Fatigue load limit, radial direction	P <sub>u</sub>	14.6	kN
Fatigue load limit, axial direction	P <sub>u</sub>	0.816	kN
Reference speed		5600	r/min
Limiting speed		6300	r/min

## Mass

Mass bearing	0.64	kg
--------------	------	----