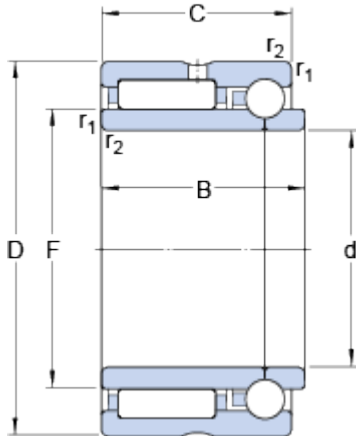


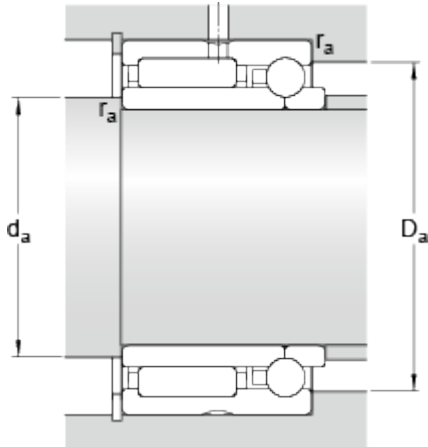
NKIB 5911

Dimensions



d	55	mm
D	80	mm
B	38	mm
C	34	mm
F	63	mm
r _{1,2}	min. 1	mm

Abutment dimensions



d _a	min. 60	mm
D _a	max. 75	mm
r _a	max. 1	mm

Calculation data

Basic dynamic load rating, radial direction	C	57.2	kN
Basic static load rating, radial direction	C	106	kN
Basic dynamic load rating, axial direction	C	9.27	kN
Basic static load rating, axial direction	C	16.7	kN
Fatigue load limit, radial direction	P _u	13.2	kN
Fatigue load limit, axial direction	P _u	0.697	kN
Reference speed		6300	r/min
Limiting speed		7000	r/min

Mass

Mass bearing	0.56	kg
--------------	------	----