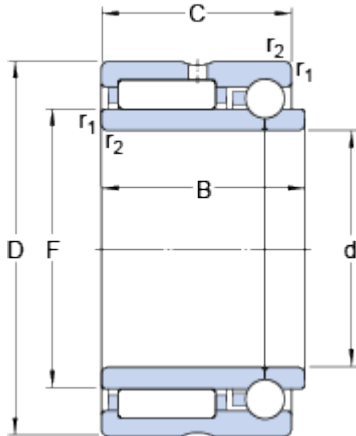


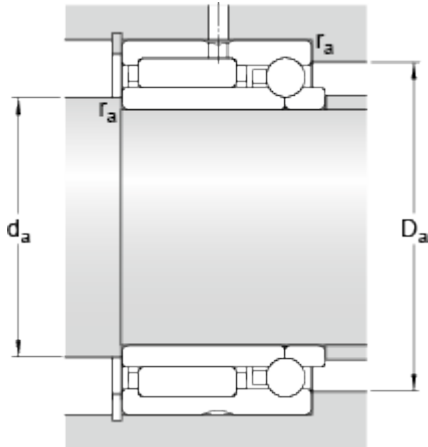
NKIB 5906

Dimensions



d	30	mm
D	47	mm
B	25	mm
C	23	mm
F	35	mm
r _{1,2}	min. 0.3	mm

Abutment dimensions



d _a	min.	32	mm
D _a	max.	45	mm
r _a	max.	0.3	mm

Calculation data

Basic dynamic load rating, radial direction	C	25.5	kN
Basic static load rating, radial direction	C	39	kN
Basic dynamic load rating, axial direction	C	4.54	kN
Basic static load rating, axial direction	C	6.32	kN
Fatigue load limit, radial direction	P _u	4.65	kN
Fatigue load limit, axial direction	P _u	0.268	kN
Reference speed		11000	r/min
Limiting speed		13000	r/min

Mass

Mass bearing	0.15	kg
--------------	------	----