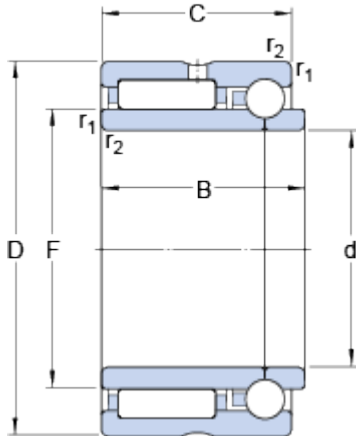


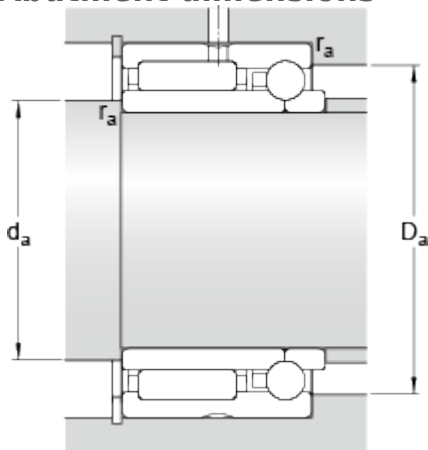
# NKIB 5904

## Dimensions



d	20	mm
D	37	mm
B	25	mm
C	23	mm
F	25	mm
r <sub>1,2</sub>	min. 0.3	mm

## Abutment dimensions



d <sub>a</sub>	min. 22	mm
D <sub>a</sub>	max. 35	mm
r <sub>a</sub>	max. 0.3	mm

## Calculation data

Basic dynamic load rating, radial direction	C	21.6	kN
Basic static load rating, radial direction	C	28	kN
Basic dynamic load rating, axial direction	C	3.79	kN
Basic static load rating, axial direction	C	4.21	kN
Fatigue load limit, radial direction	P <sub>u</sub>	3.35	kN
Fatigue load limit, axial direction	P <sub>u</sub>	0.176	kN
Reference speed		15000	r/min
Limiting speed		17000	r/min

## Mass

Mass bearing	0.11	kg
--------------	------	----