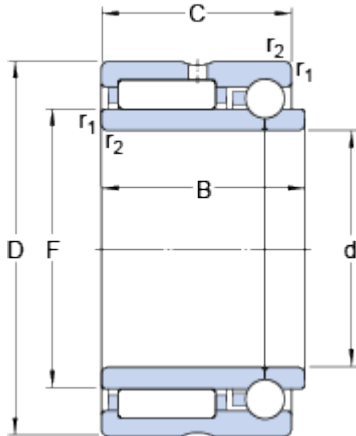


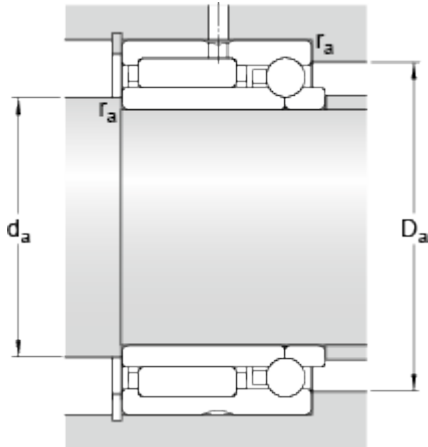
# NKIB 5903

## Dimensions



d	17	mm
D	30	mm
B	20	mm
C	18	mm
F	22	mm
r <sub>1,2</sub>	min. 0.3	mm

## Abutment dimensions



d <sub>a</sub>	min. 19	mm
D <sub>a</sub>	max. 28	mm
r <sub>a</sub>	max. 0.3	mm

## Calculation data

Basic dynamic load rating, radial direction	C	11.4	kN
Basic static load rating, radial direction	C	16.3	kN
Basic dynamic load rating, axial direction	C	2.24	kN
Basic static load rating, axial direction	C	2.74	kN
Fatigue load limit, radial direction	P <sub>u</sub>	1.96	kN
Fatigue load limit, axial direction	P <sub>u</sub>	0.116	kN
Reference speed		18000	r/min
Limiting speed		20000	r/min

## Mass

Mass bearing	0.058	kg
--------------	-------	----