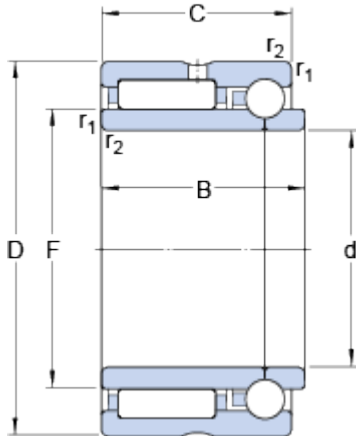


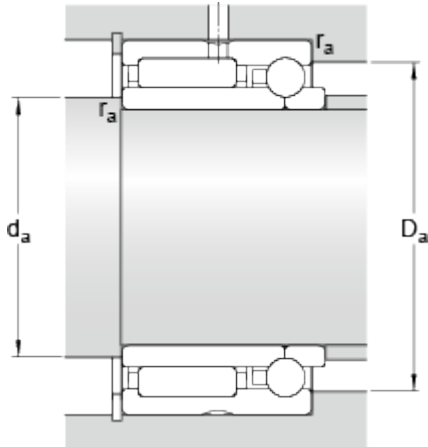
NKIB 5902

Dimensions



d	15	mm
D	28	mm
B	20	mm
C	18	mm
F	20	mm
r _{1,2}	min.	0.3 mm

Abutment dimensions



d _a	min.	17	mm
D _a	max.	26	mm
r _a	max.	0.3	mm

Calculation data

Basic dynamic load rating, radial direction	C	11.2	kN
Basic static load rating, radial direction	C	15.3	kN
Basic dynamic load rating, axial direction	C	2.27	kN
Basic static load rating, axial direction	C	2.37	kN
Fatigue load limit, radial direction	P _u	1.83	kN
Fatigue load limit, axial direction	P _u	0.099	kN
Reference speed		19000	r/min
Limiting speed		22000	r/min

Mass

Mass bearing	0.052	kg
--------------	-------	----