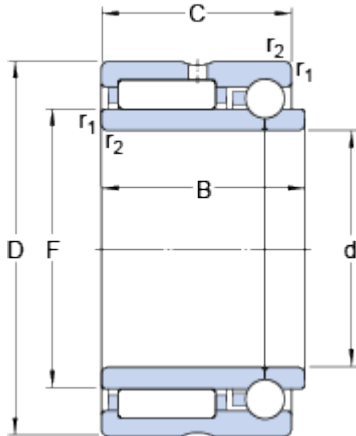


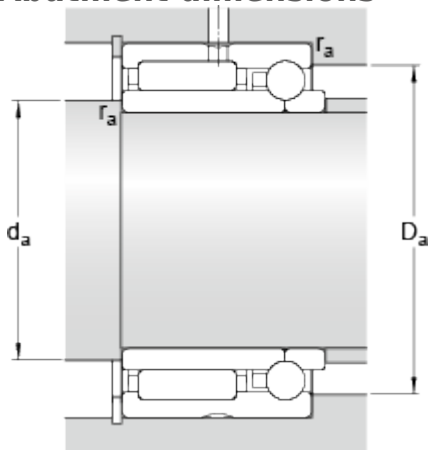
# NKIB 5901

## Dimensions



d	12	mm
D	24	mm
B	17.5	mm
C	16	mm
F	16	mm
r <sub>1,2</sub>	min. 0.3	mm

## Abutment dimensions



d <sub>a</sub>	min. 14	mm
D <sub>a</sub>	max. 22	mm
r <sub>a</sub>	max. 0.3	mm

## Calculation data

Basic dynamic load rating, radial direction	C	8.09	kN
Basic static load rating, radial direction	C	9.65	kN
Basic dynamic load rating, axial direction	C	2.07	kN
Basic static load rating, axial direction	C	1.92	kN
Fatigue load limit, radial direction	P <sub>u</sub>	1.14	kN
Fatigue load limit, axial direction	P <sub>u</sub>	0.083	kN
Reference speed		22000	r/min
Limiting speed		26000	r/min

## Mass

Mass bearing	0.043	kg
--------------	-------	----