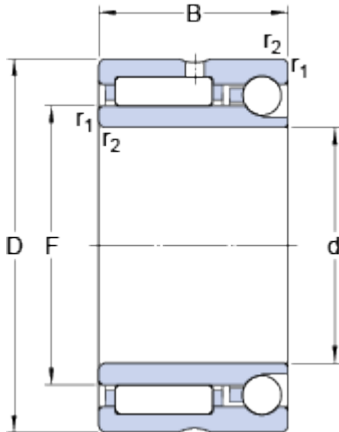


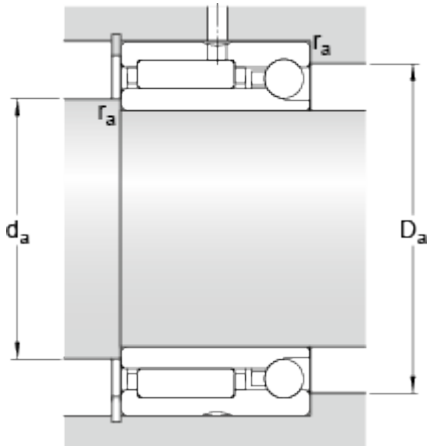
NKIA 5907

Dimensions



d	35	mm
D	55	mm
B	27	mm
F	42	mm
r _{1,2}	min. 0.6	mm

Abutment dimensions



d _a	min. 39	mm
D _a	max. 51	mm
r _a	max. 0.6	mm

Calculation data

Basic dynamic load rating, radial direction	C	31.9	kN
Basic static load rating, radial direction	C	54	kN
Basic dynamic load rating, axial direction	C	5.83	kN
Basic static load rating, axial direction	C	8.42	kN
Fatigue load limit, radial direction	P _u	6.7	kN
Fatigue load limit, axial direction	P _u	0.355	kN
Reference speed		9500	r/min
Limiting speed		11000	r/min

Mass

Mass bearing	0.24	kg
--------------	------	----