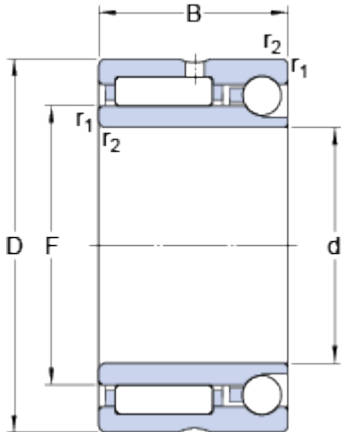


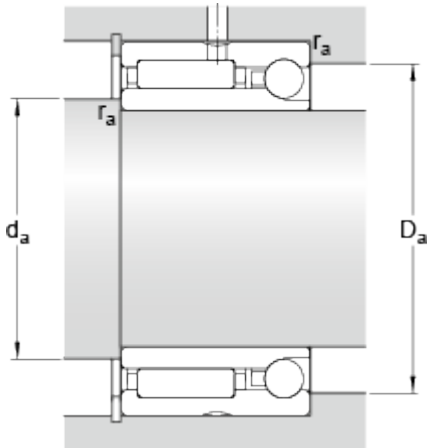
NKIA 5906

Dimensions



| | | |
|------------------|----------|----|
| d | 30 | mm |
| D | 47 | mm |
| B | 23 | mm |
| F | 35 | mm |
| r _{1,2} | min. 0.3 | mm |

Abutment dimensions



| | | |
|----------------|----------|----|
| d _a | min. 32 | mm |
| D _a | max. 45 | mm |
| r _a | max. 0.3 | mm |

Calculation data

| | | | |
|---------------------------------------------|----------------|-------|-------|
| Basic dynamic load rating, radial direction | C | 25.5 | kN |
| Basic static load rating, radial direction | C | 39 | kN |
| Basic dynamic load rating, axial direction | C | 4.54 | kN |
| Basic static load rating, axial direction | C | 6.32 | kN |
| Fatigue load limit, radial direction | P _u | 4.65 | kN |
| Fatigue load limit, axial direction | P _u | 0.268 | kN |
| Reference speed | | 11000 | r/min |
| Limiting speed | | 13000 | r/min |

Mass

| | | |
|--------------|------|----|
| Mass bearing | 0.15 | kg |
|--------------|------|----|