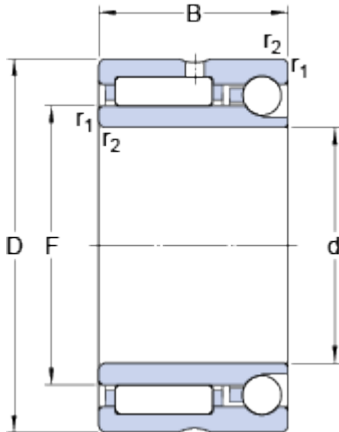


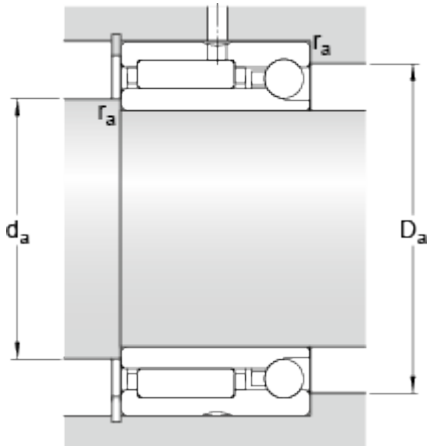
NKIA 5905

Dimensions



d	25	mm
D	42	mm
B	23	mm
F	30	mm
r _{1,2}	min. 0.3	mm

Abutment dimensions



d _a	min. 27	mm
D _a	max. 40	mm
r _a	max. 0.3	mm

Calculation data

Basic dynamic load rating, radial direction	C	24.2	kN
Basic static load rating, radial direction	C	34.5	kN
Basic dynamic load rating, axial direction	C	4.24	kN
Basic static load rating, axial direction	C	5.26	kN
Fatigue load limit, radial direction	P _u	4.15	kN
Fatigue load limit, axial direction	P _u	0.224	kN
Reference speed		13000	r/min
Limiting speed		15000	r/min

Mass

Mass bearing	0.13	kg
--------------	------	----