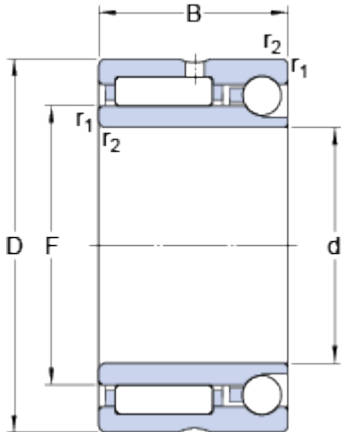


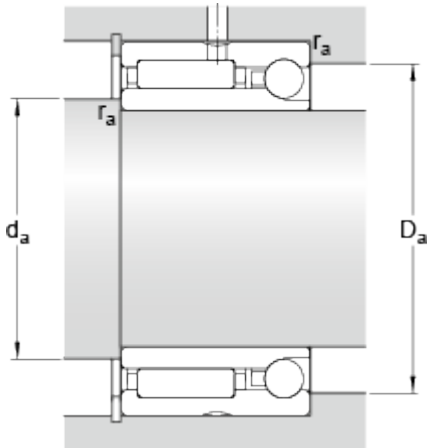
NKIA 5904

Dimensions



d	20	mm
D	37	mm
B	23	mm
F	25	mm
r _{1,2}	min. 0.3	mm

Abutment dimensions



d _a	min. 22	mm
D _a	max. 35	mm
r _a	max. 0.3	mm

Calculation data

Basic dynamic load rating, radial direction	C	21.6	kN
Basic static load rating, radial direction	C	28	kN
Basic dynamic load rating, axial direction	C	3.79	kN
Basic static load rating, axial direction	C	4.21	kN
Fatigue load limit, radial direction	P _u	3.35	kN
Fatigue load limit, axial direction	P _u	0.176	kN
Reference speed		15000	r/min
Limiting speed		17000	r/min

Mass

Mass bearing	0.1	kg
--------------	-----	----