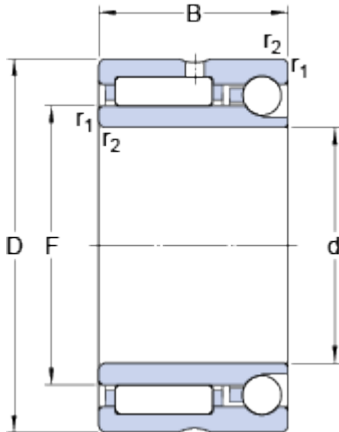


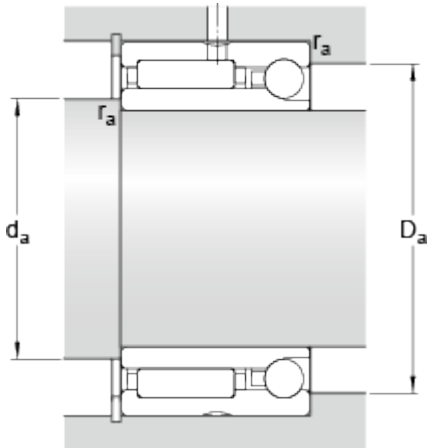
# NKIA 5903

## Dimensions



|                  |      |     |    |
|------------------|------|-----|----|
| d                |      | 17  | mm |
| D                |      | 30  | mm |
| B                |      | 18  | mm |
| F                |      | 22  | mm |
| r <sub>1,2</sub> | min. | 0.3 | mm |

## Abutment dimensions



|                |      |     |    |
|----------------|------|-----|----|
| d <sub>a</sub> | min. | 19  | mm |
| D <sub>a</sub> | max. | 28  | mm |
| r <sub>a</sub> | max. | 0.3 | mm |

## Calculation data

|   |                |       |       |
|---|----------------|-------|-------|
| Basic dynamic load rating, radial direction | C              | 11.4  | kN    |
| Basic static load rating, radial direction  | C              | 16.3  | kN    |
| Basic dynamic load rating, axial direction  | C              | 2.24  | kN    |
| Basic static load rating, axial direction   | C              | 2.74  | kN    |
| Fatigue load limit, radial direction        | P <sub>u</sub> | 1.96  | kN    |
| Fatigue load limit, axial direction         | P <sub>u</sub> | 0.116 | kN    |
| Reference speed                             |                | 18000 | r/min |
| Limiting speed                              |                | 20000 | r/min |

## Mass

|              |  |       |    |
|--------------|--|-------|----|
| Mass bearing |  | 0.056 | kg |
|--------------|--|-------|----|